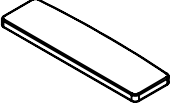

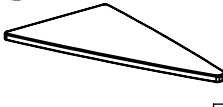
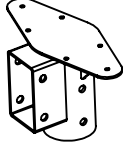
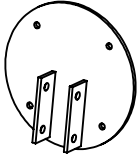
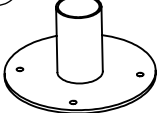
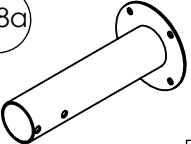
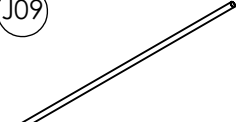
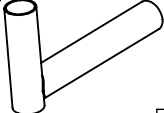

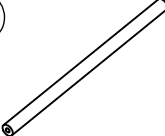



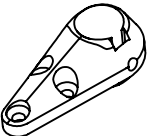
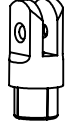
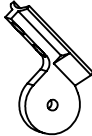
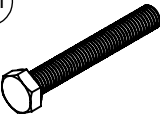
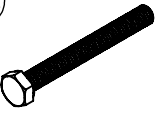




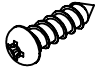

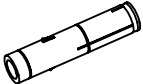
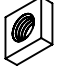





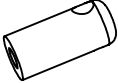


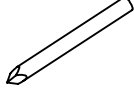
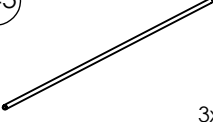
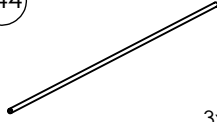
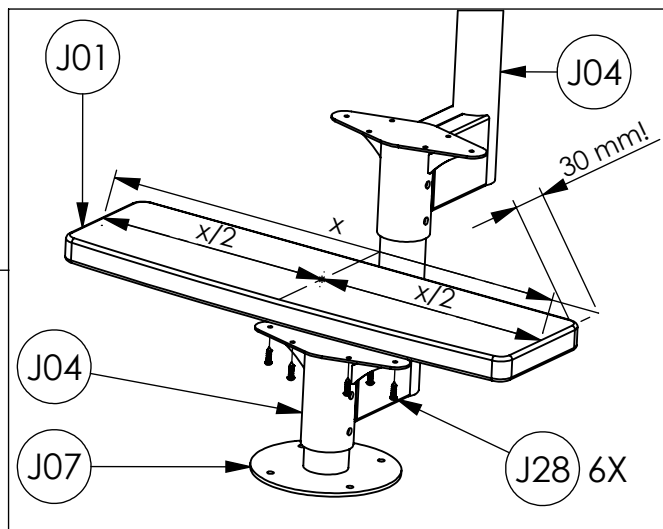
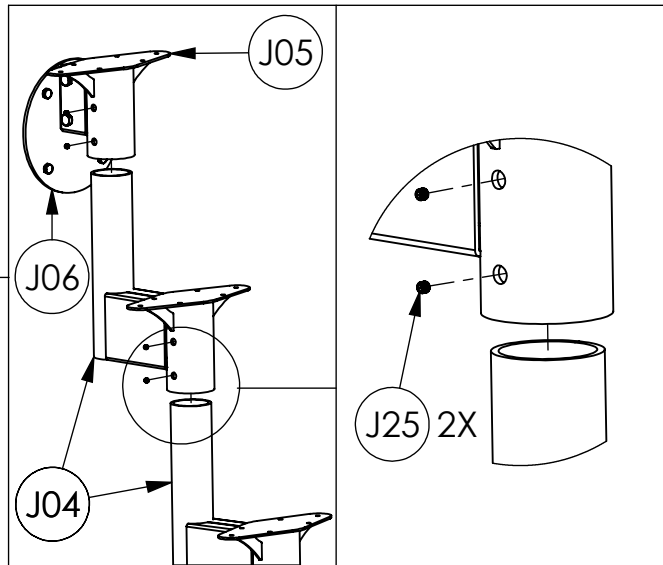
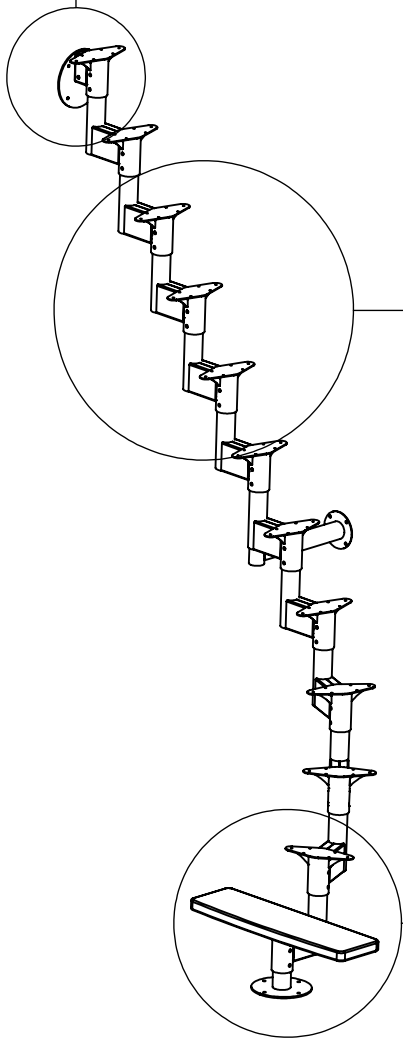
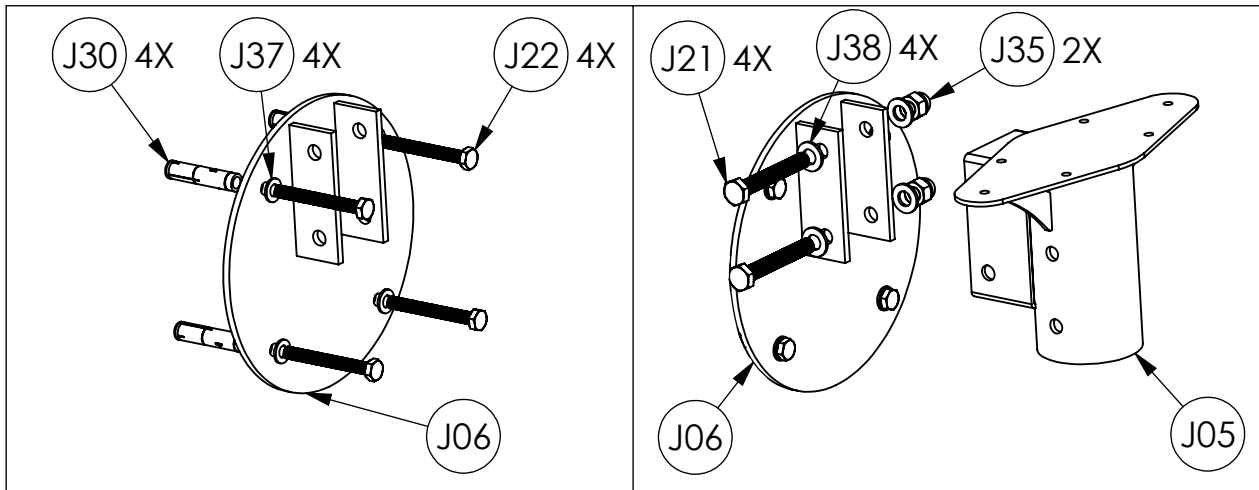
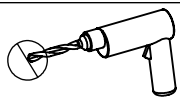


STYLE TURN / EB-2564-02

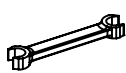
J01  8x	J02  2x	J03  2x	J04  11x	J05  1x
J06  1x	J07  1x	J08a  1x	J09  Ø 22x1x1100mm 8x	J10a  1x
J11  Ø 15x50 mm 2x		J13  Ø 40x750mm 3x	J14  Ø 60 mm 11x	J15  Ø 40 mm 2x
J16  Ø 22 mm 8x	J17  15x	J18  8x	S19  8x	
J21  M10 x 70 mm 2x	J22  M8 x 70 mm 12x		J24  M5 x 20 mm 8x	J25  M10 x 8 mm 26x
J26  M6 x 6 mm 15x	J27  Ø 5x40 mm 45x	J28  Ø 6x30 mm 72x	J29  Ø 3,5x25 mm 22x	J30  M8 x 55 mm 12x
J31  M6 DIN562 15x	J32  M5 DIN934 8x		J34  Ø 4x25 mm 8x	J35  M10 DIN1587 2x
	J37  M8 DIN125A 12x	J38  M10 DIN125A 4x	J39  Ø 12,5x28 mm 24x	J40  M6 x 14 mm 24x
J41  Ø 6x12 mm 6x	J42  Ø 4x40 mm 3x	J43  Ø 6x1x1200mm 3x	J44  Ø 6x1x900mm 3x	



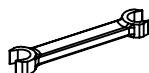
3



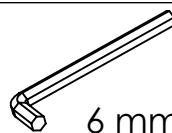
12 mm



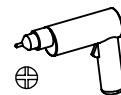
13 mm

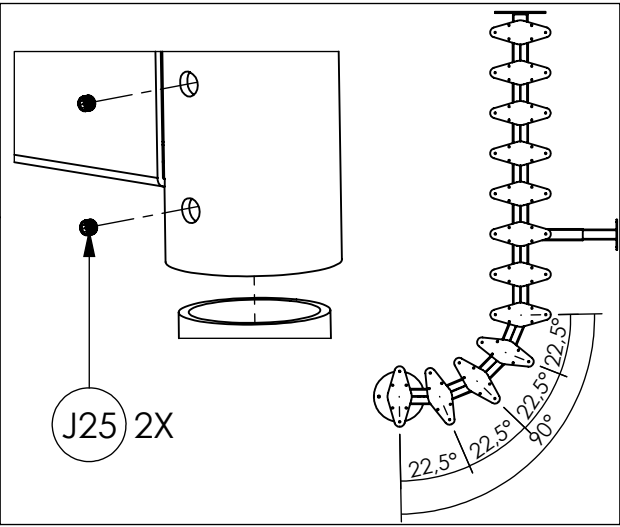
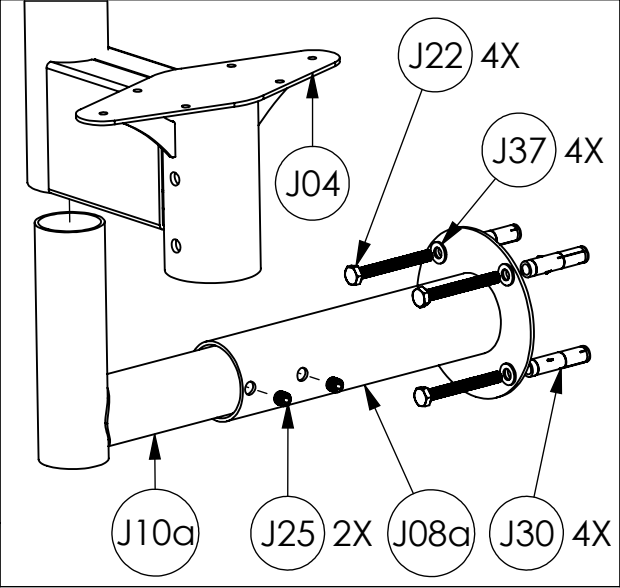
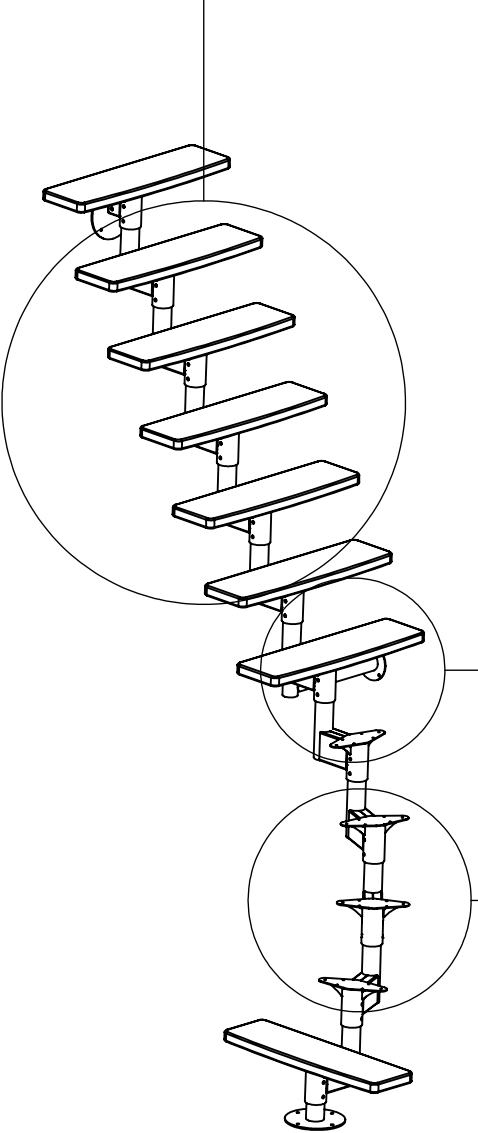
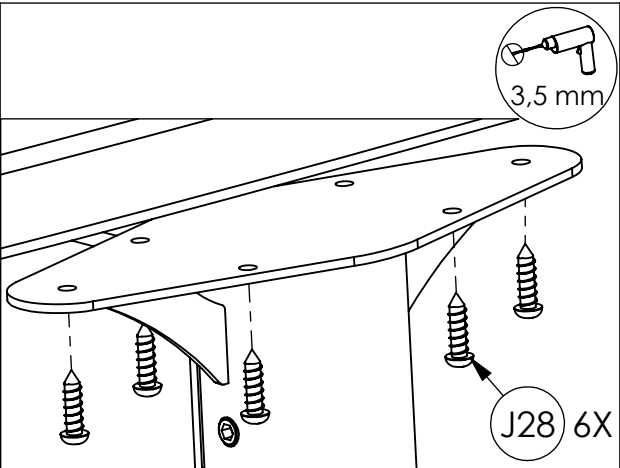
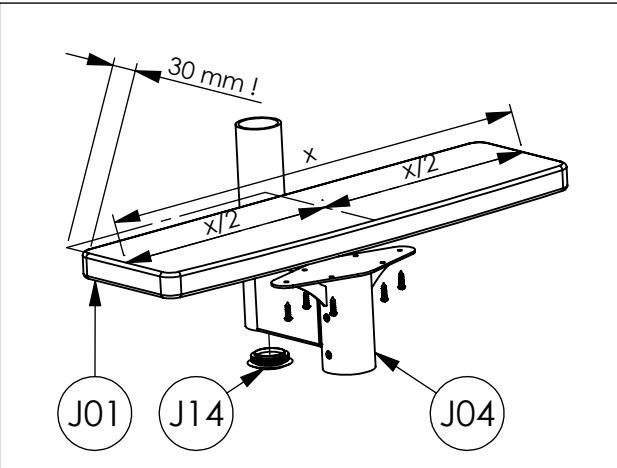


17 mm

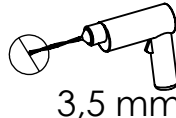
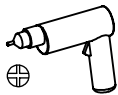
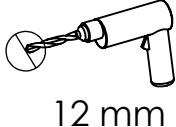
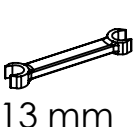
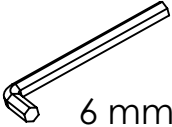


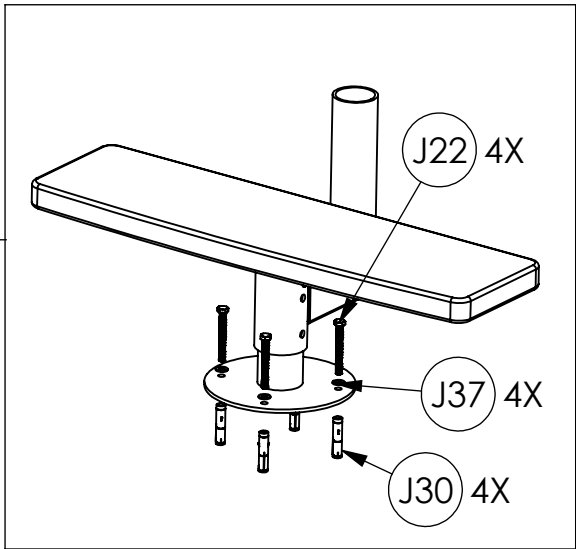
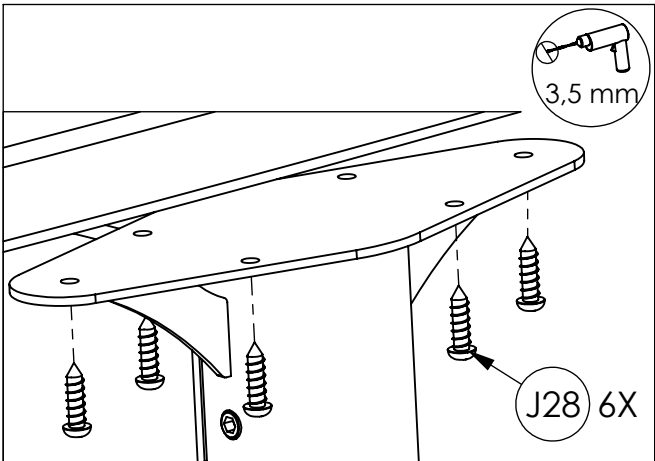
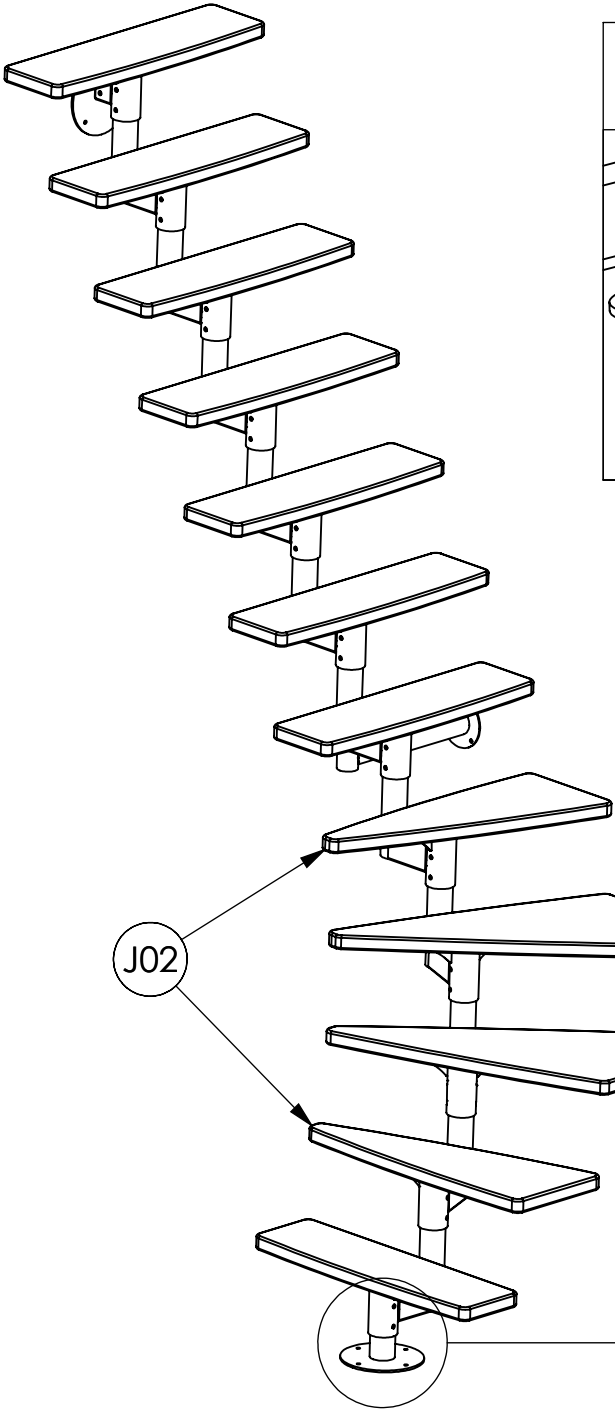
6 mm



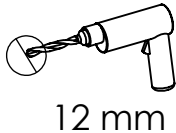


4

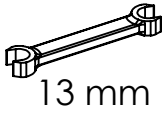




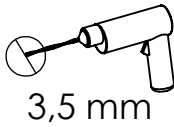
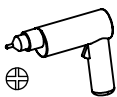
5



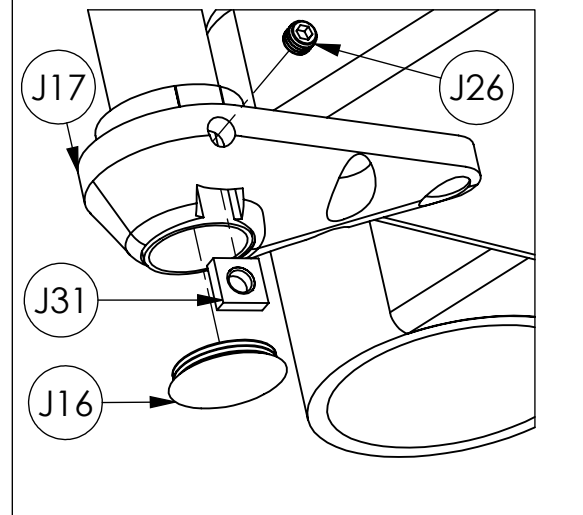
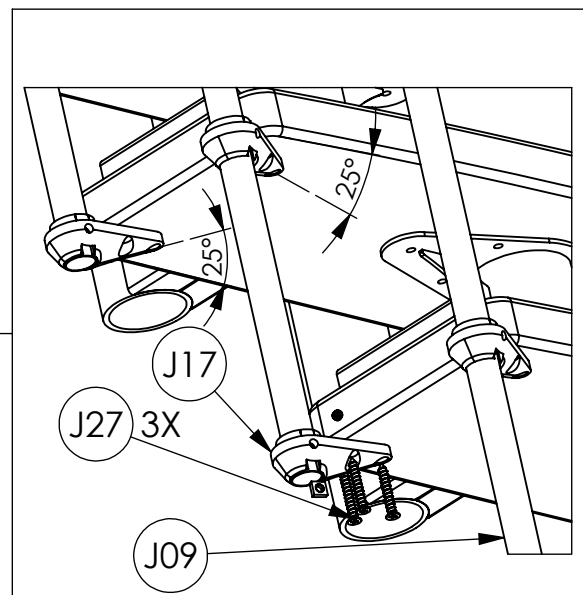
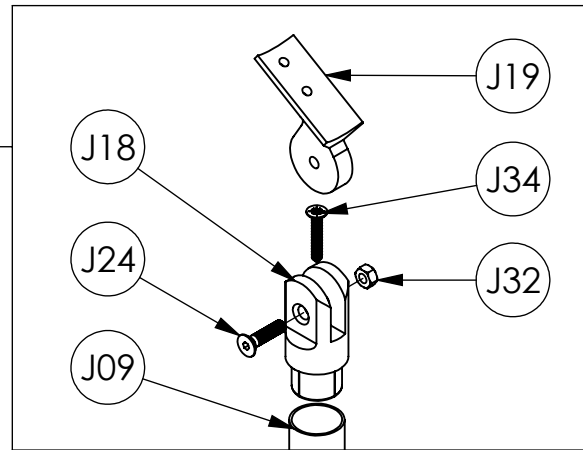
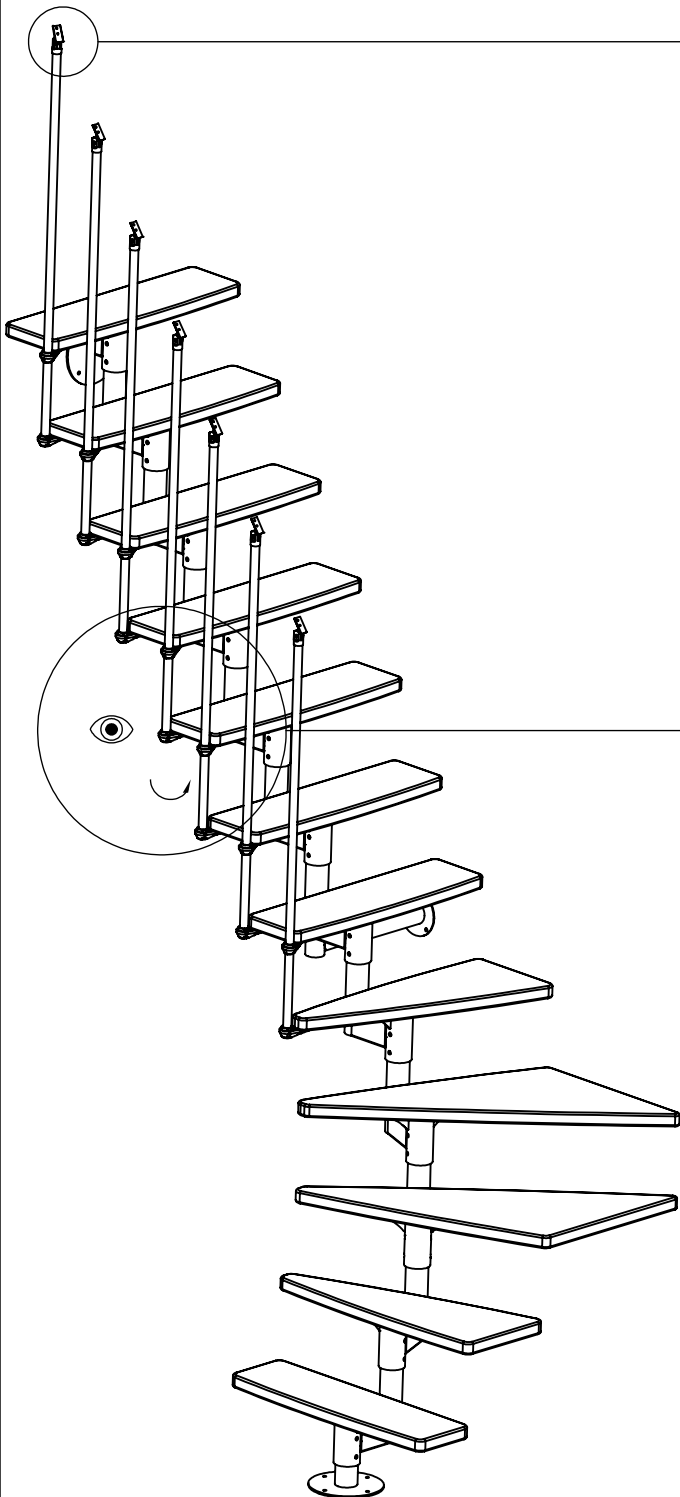
12 mm



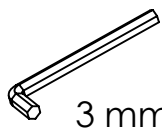
13 mm



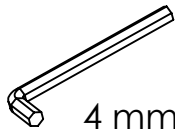
3,5 mm



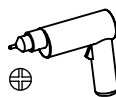
6

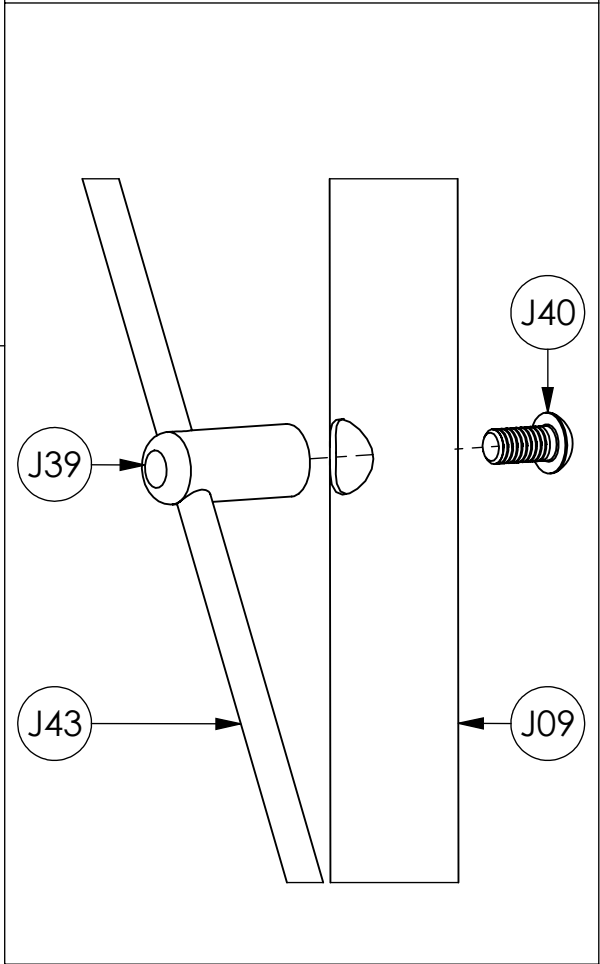
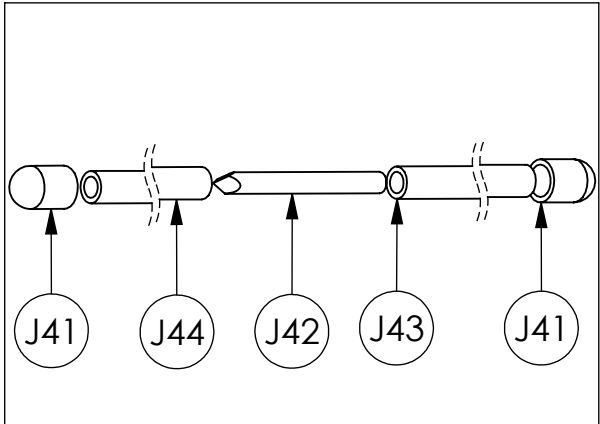
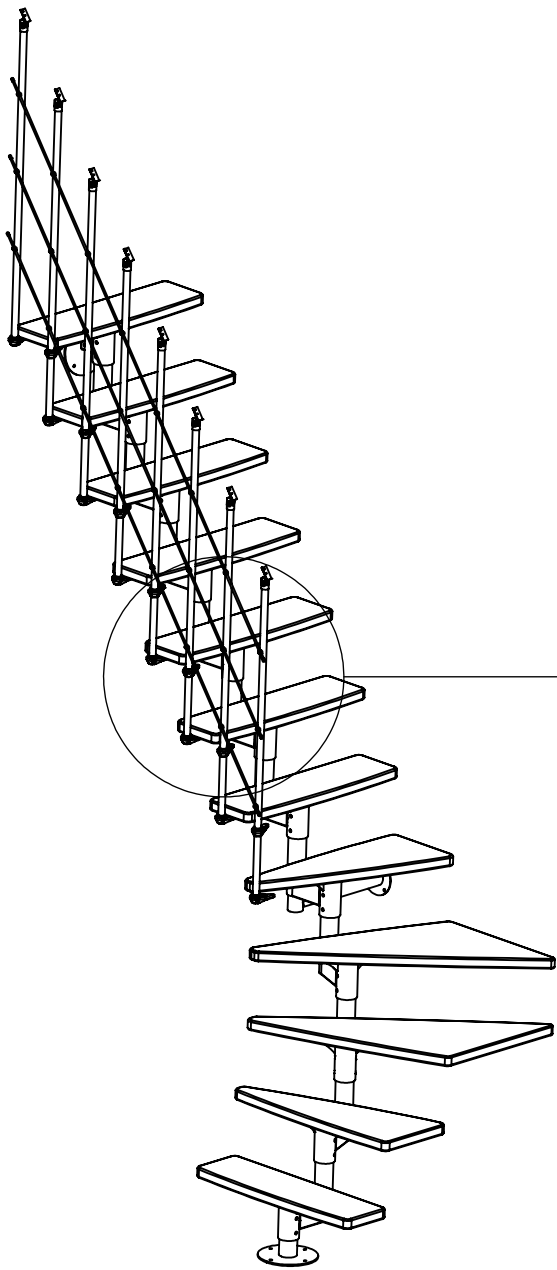


3 mm



4 mm





7

