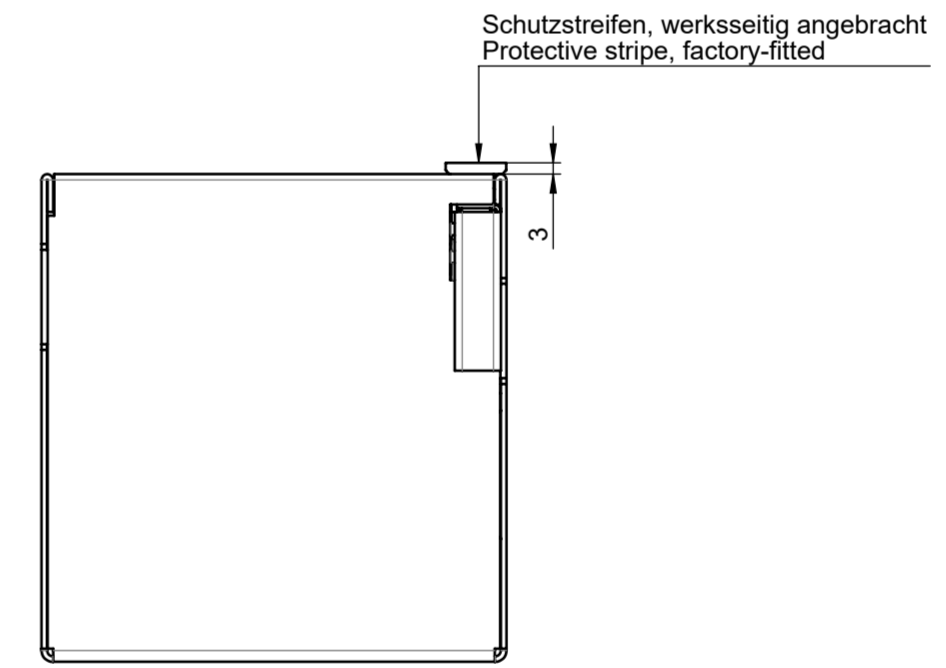
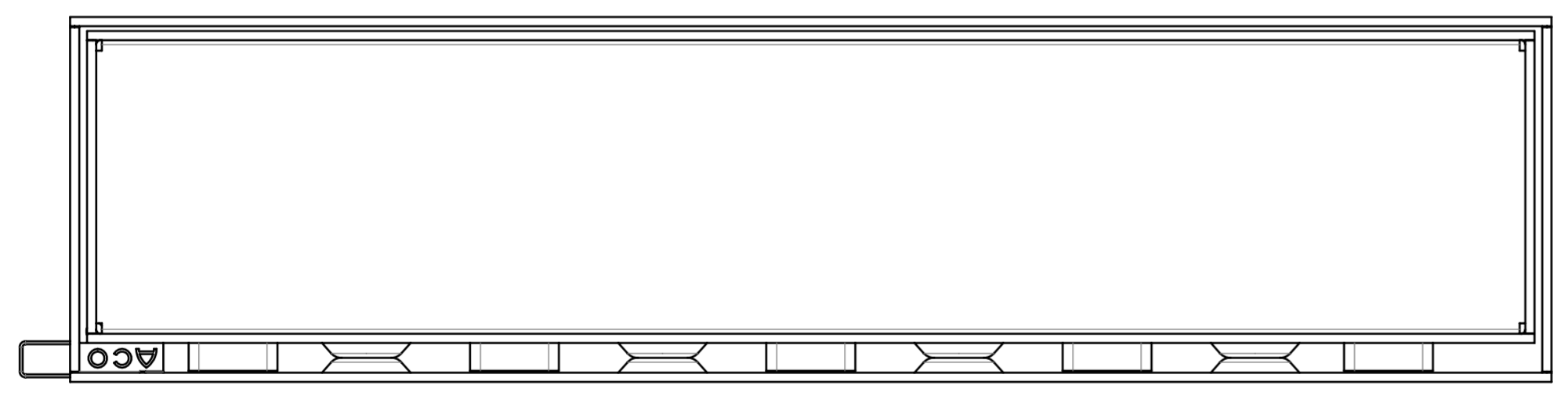
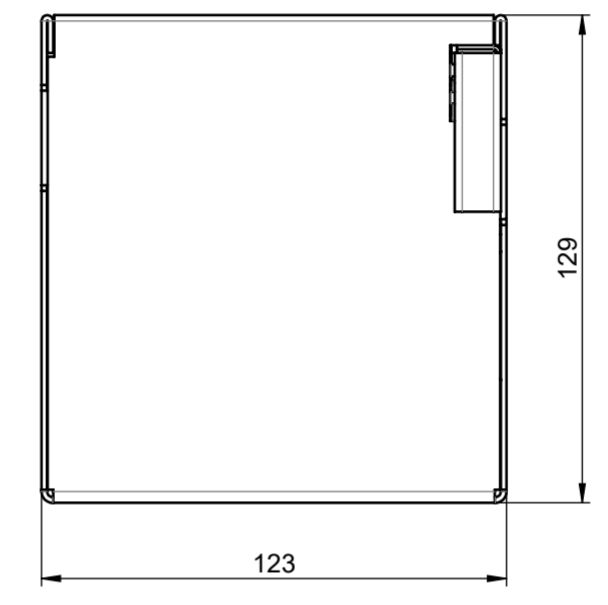
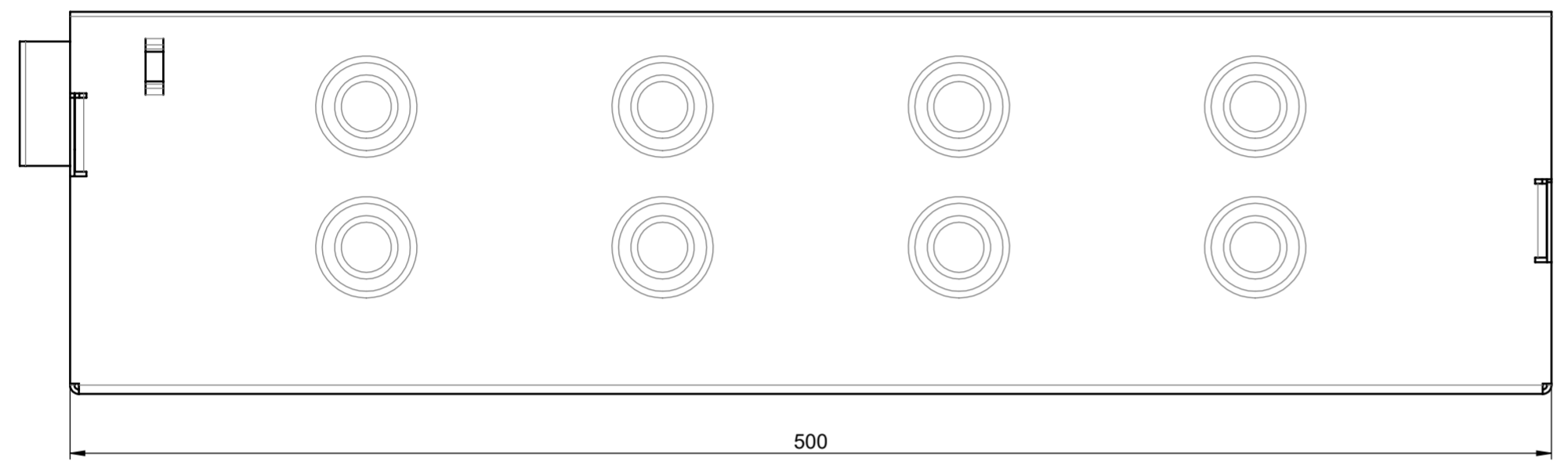
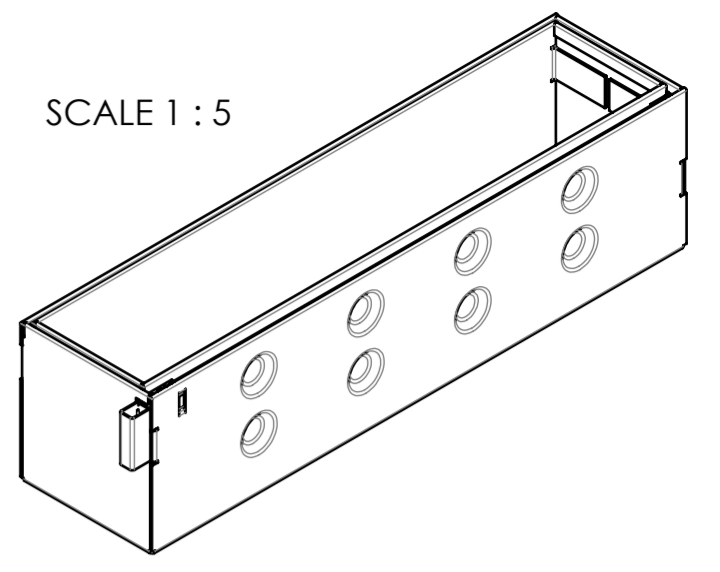


1 2 3 4 5 6 7 8 9 10 11 12

A
B
C
D
E
F
G
H



local article number: 445602

	ACO Tiefbau Vertrieb GmbH 24755 Rendsburg, Postfach 320 Tel. 04331 / 354-500 Fax. 04331 / 354-358 www.aco.com	drawing-no.: 1031510-M	index: 002	documenttype: marketing drw.
	created by: rbhatia	reviewed by: rbhatia	projection: ISO-E	scale: 1:2

title:
ACO Brickslot
Slot Top AU V100 H105 C250 single slot 10mm L0.5m, Stainless steel
Schlitzrahmen AU V100 H105 C250 Einzelschlit 10mm L0.5m, Edelstahl

The reproduction, distribution and utilization of this document as well as the communication of its contents to others without express authorization is prohibited. Offenders will be held liable for the payment of damages. All rights reserved in the event of the grant of a patent, utility model or design. Observe copyright by ISO 16016

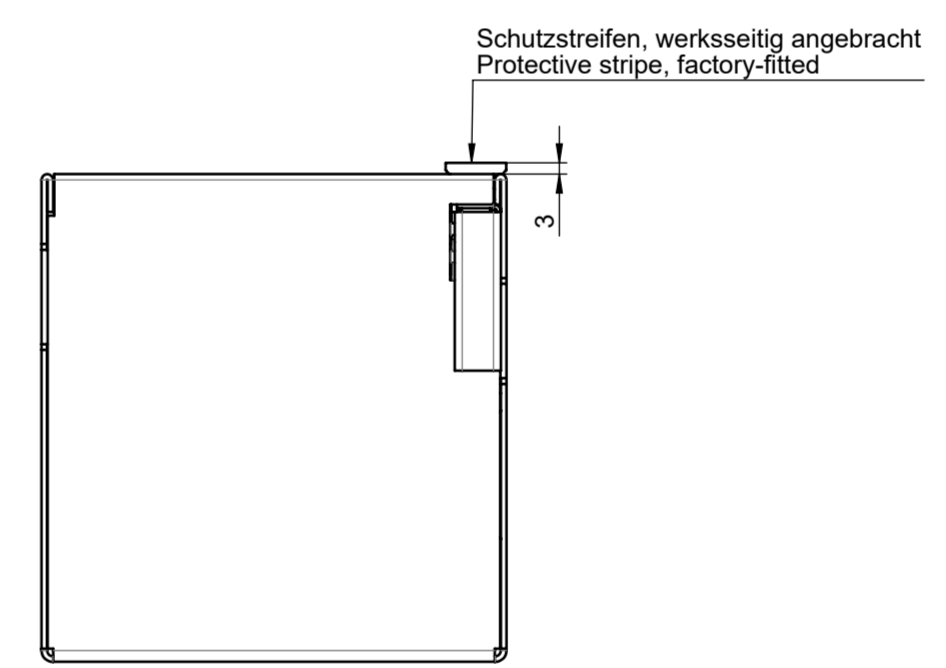
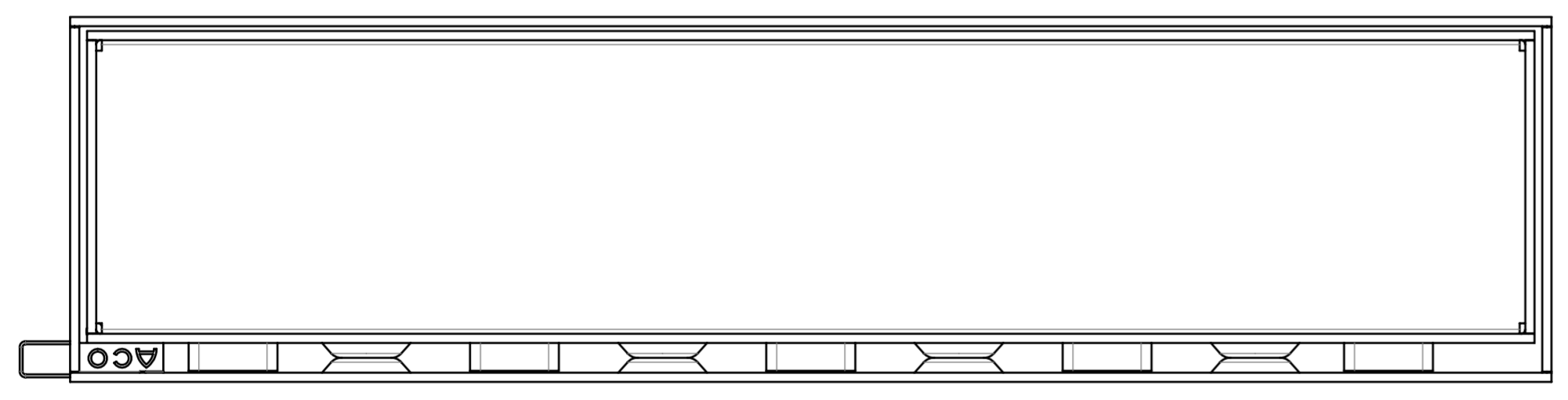
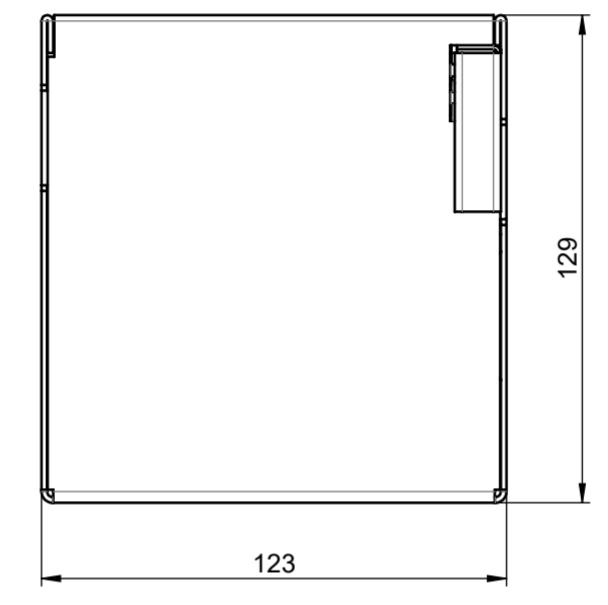
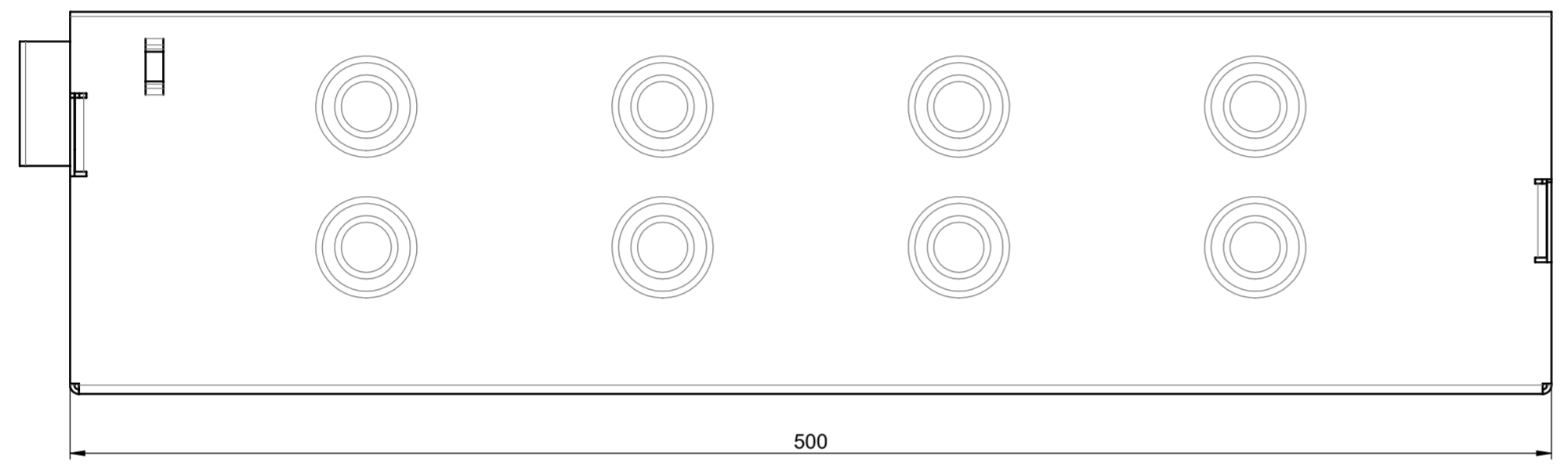
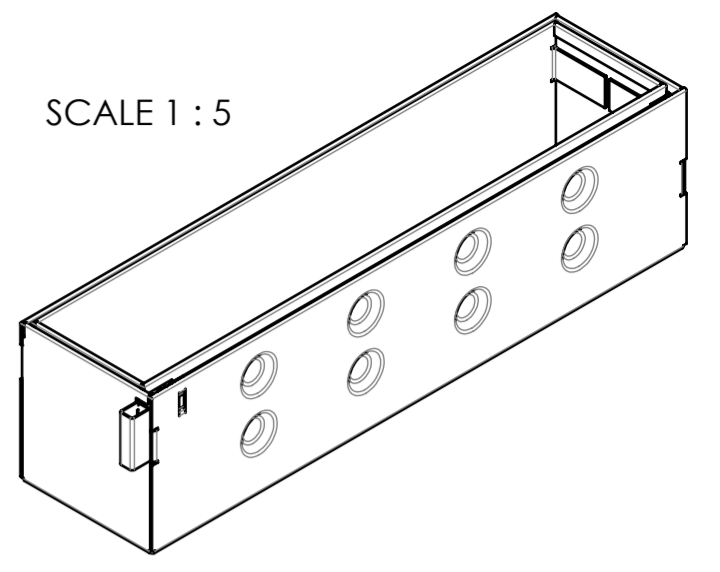
release date:
13-Sep-2018 19:13

sheet:
1/1

1 2 3 4 5 6 7 8 9 10 11 12

1 2 3 4 5 6 7 8 9 10 11 12

A
B
C
D
E
F
G
H



local article number: 445603

	ACO Tiefbau Vertrieb GmbH 24755 Rendsburg, Postfach 320 Tel. 04331 / 354-500 Fax. 04331 / 354-358 www.aco.com	drawing-no.: 1018011-M	index: 002	documenttype: marketing drw.
	created by: rbhatia	reviewed by: rbhatia	projection: ISO-E	scale: 1:2

title:
ACO Brickslot
 Slot Top AU V100 H105 C250 single slot 10mm L0.5m, Galvanized steel
 Schlitzrahmen AU V100 H105 C250 Einzelschlit 10mm L0.5m, Verzinkter Stahl

The reproduction, distribution and utilization of this document as well as the communication of its contents to others without express authorization is prohibited. Offenders will be held liable for the payment of damages. All rights reserved in the event of the grant of a patent, utility model or design. Observe copyright by ISO 16016

release date:
13-Sep-2018 19:13

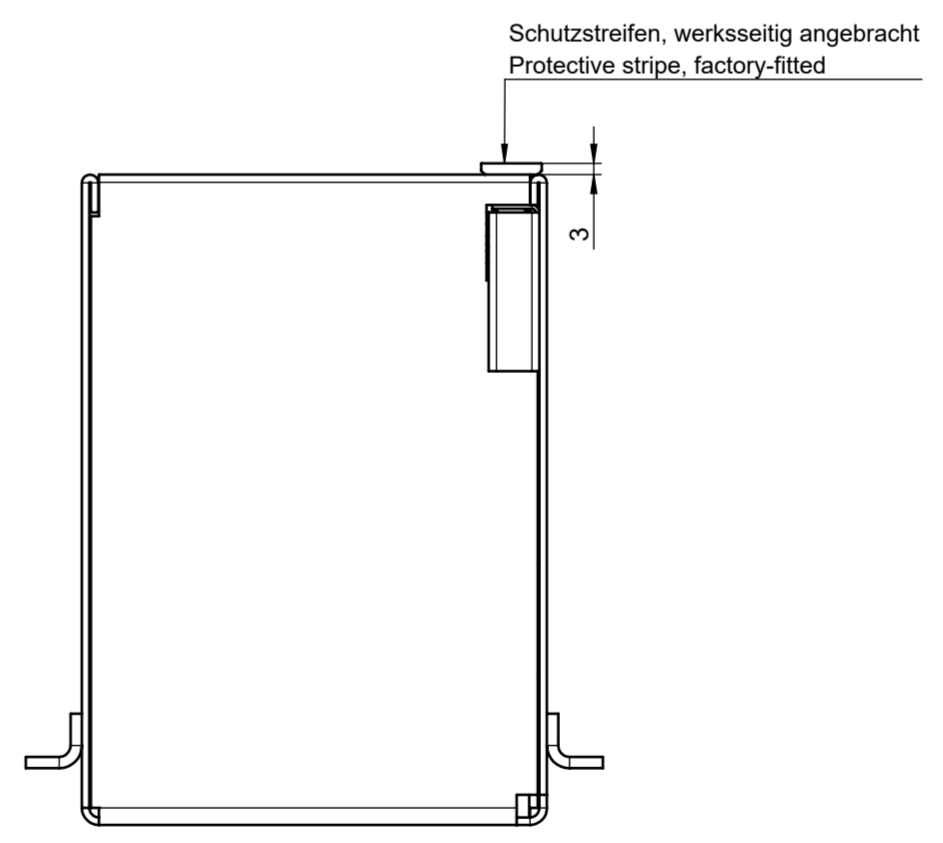
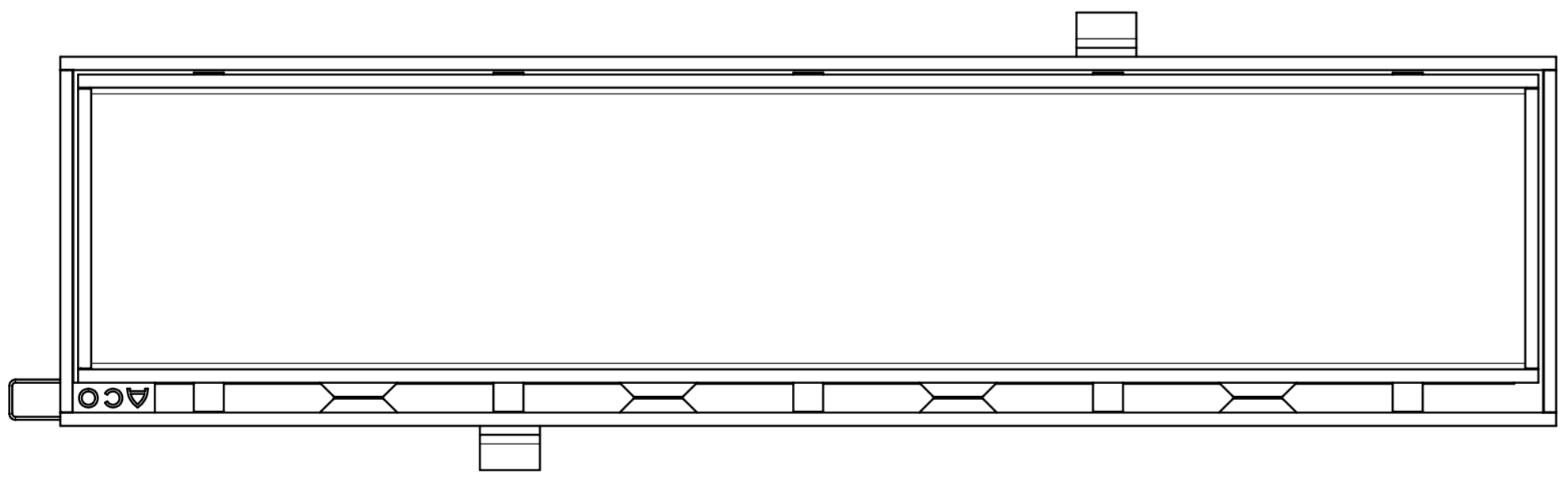
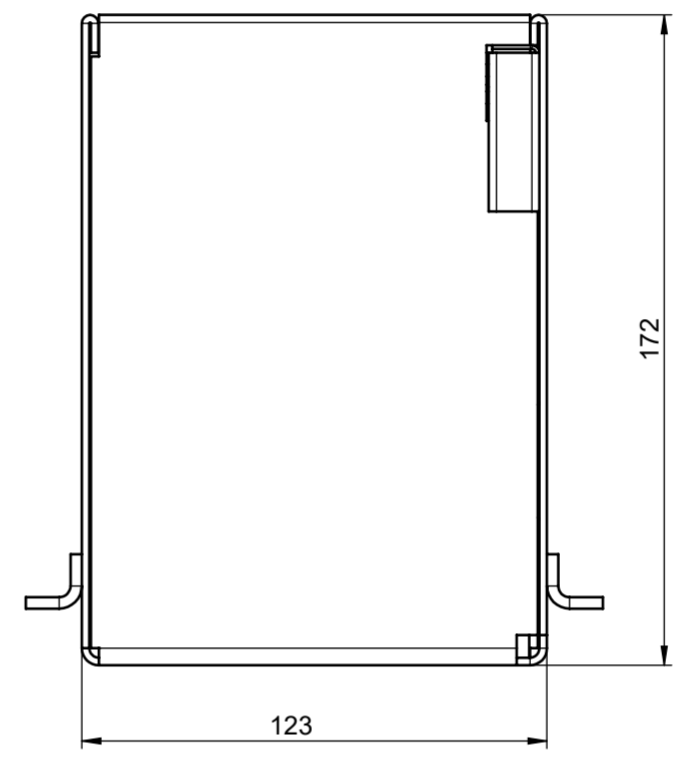
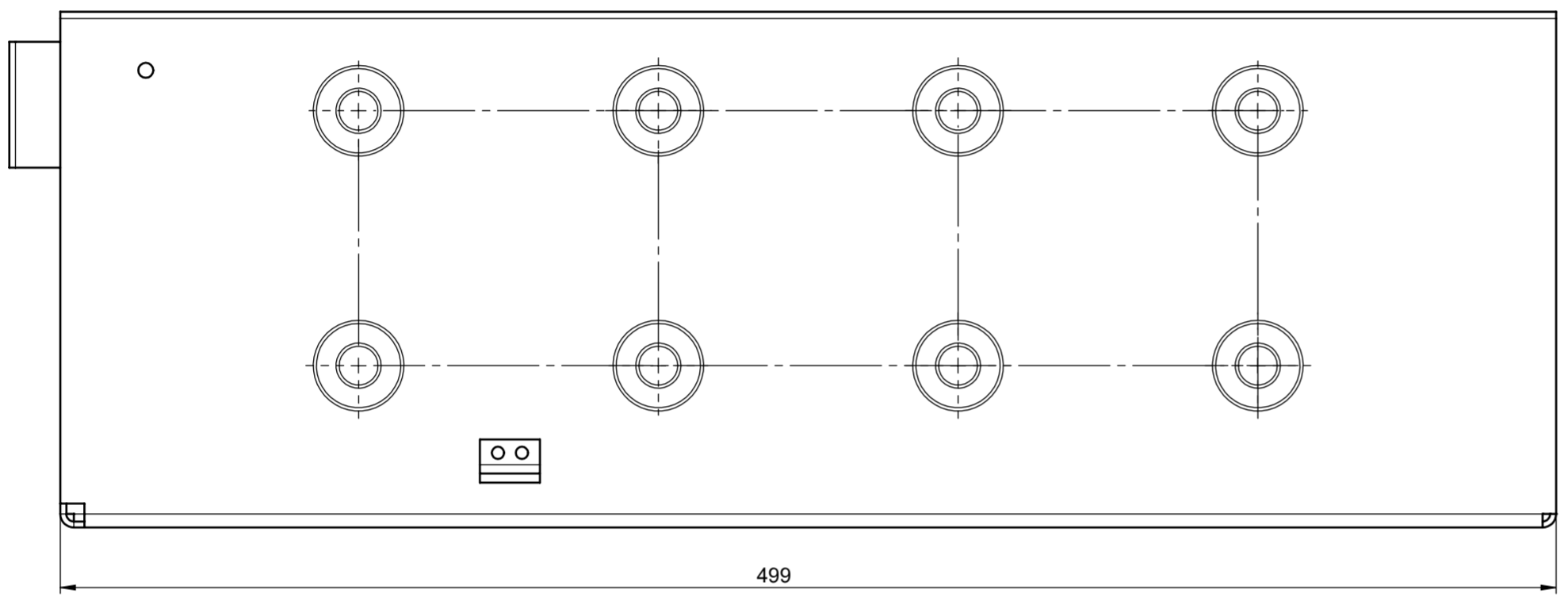
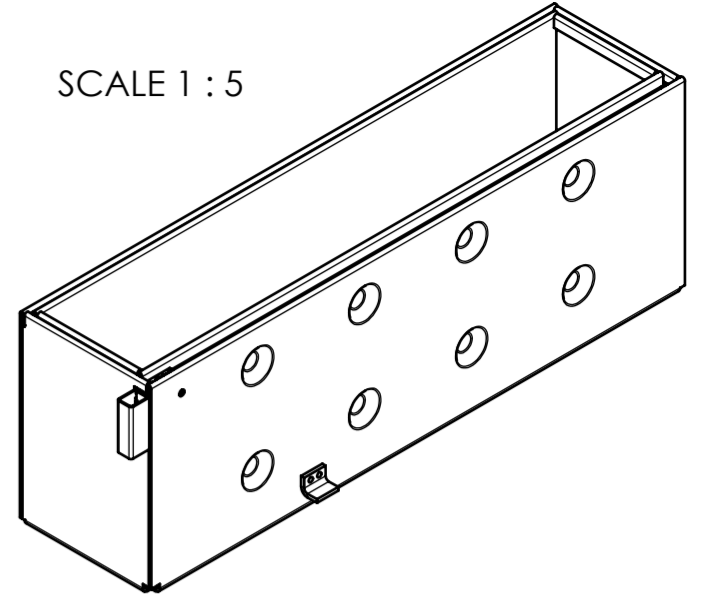
sheet:
1/1

1 2 3 4 5 6 7 8 9 10 11 12


1 2 3 4 5 6 7 8 9 10 11 12

A
B
C
D
E
F
G
H

SCALE 1 : 5



local article number: 446023

	ACO Tiefbau Vertrieb GmbH 24755 Rendsburg, Postfach 320 Tel. 04331 / 354-500 Fax. 04331 / 354-358 www.aco.com	drawing-no.: 1058298-M	index: 002	documenttype: marketing drw.
	created by: rbhatia	reviewed by: rbhatia	projection: ISO-E	scale: 1:2

title:
 ACO SlotTop
 SlotTop AU V100 H150 D400 single slot 10mm L0.5m, Galvanized steel
 Schlitzrahmen AU V100 H150 C250 Einzelschlitz 10mm L0.5m, Verzinkter Stahl

The reproduction, distribution and utilization of this document as well as the communication of its contents to others without express authorization is prohibited. Offenders will be held liable for the payment of damages. All rights reserved in the event of the grant of a patent, utility model or design. Observe copyright by ISO 16016

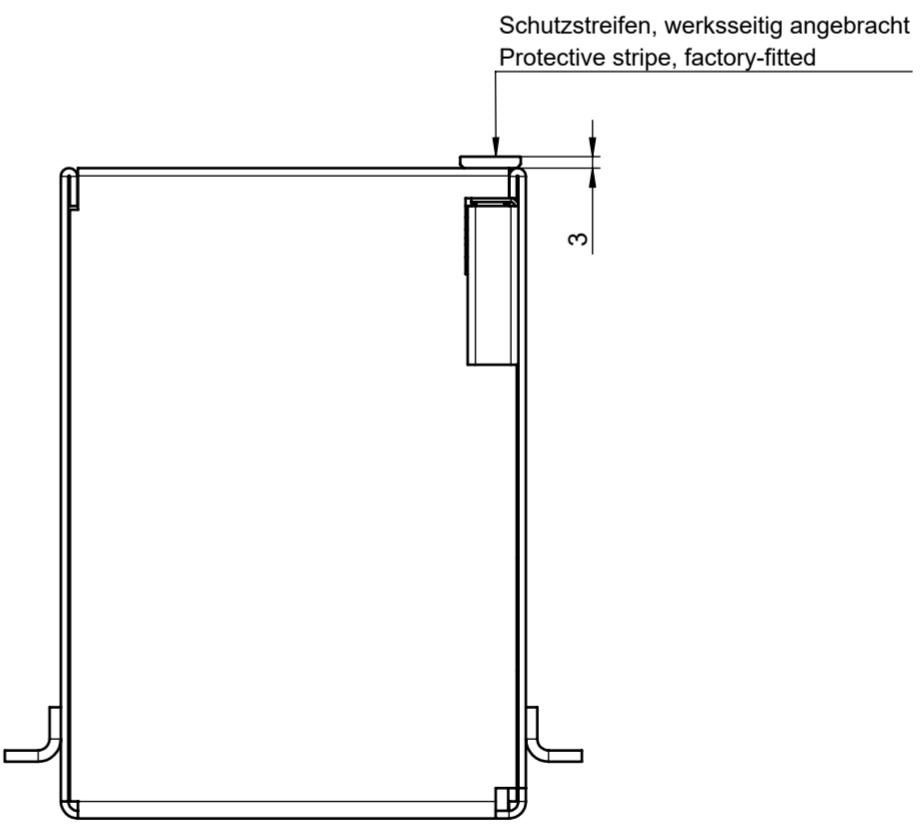
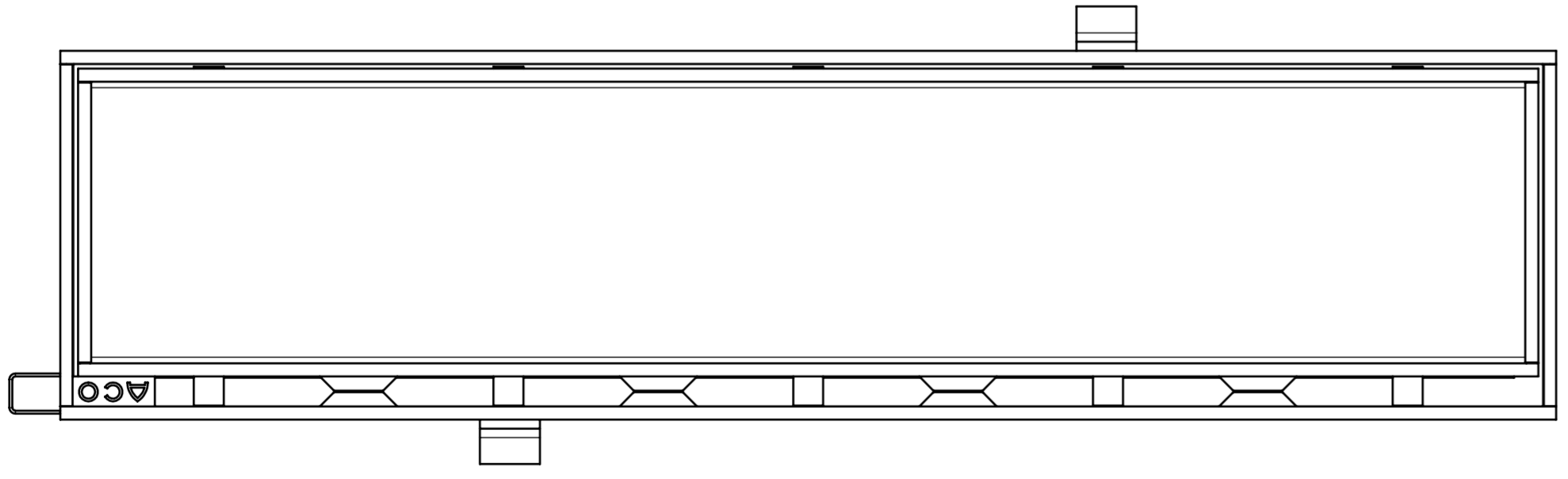
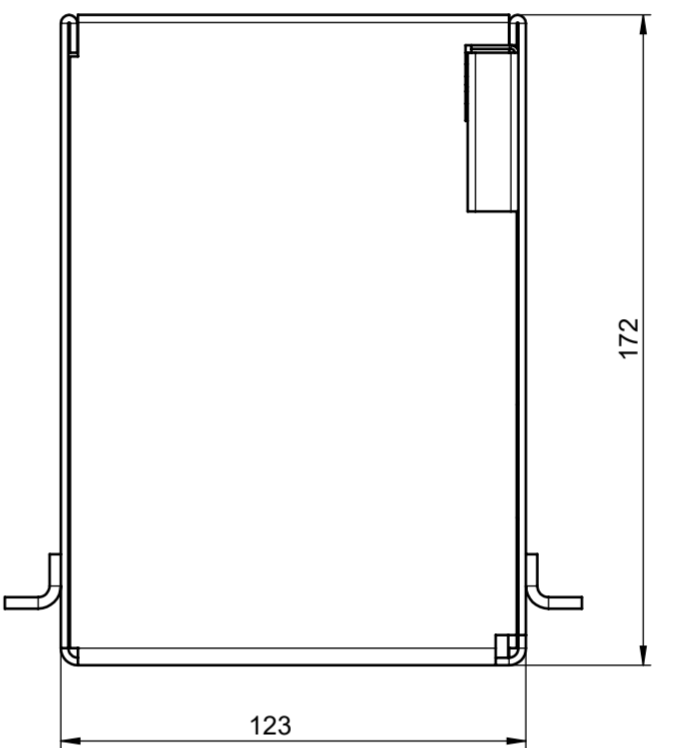
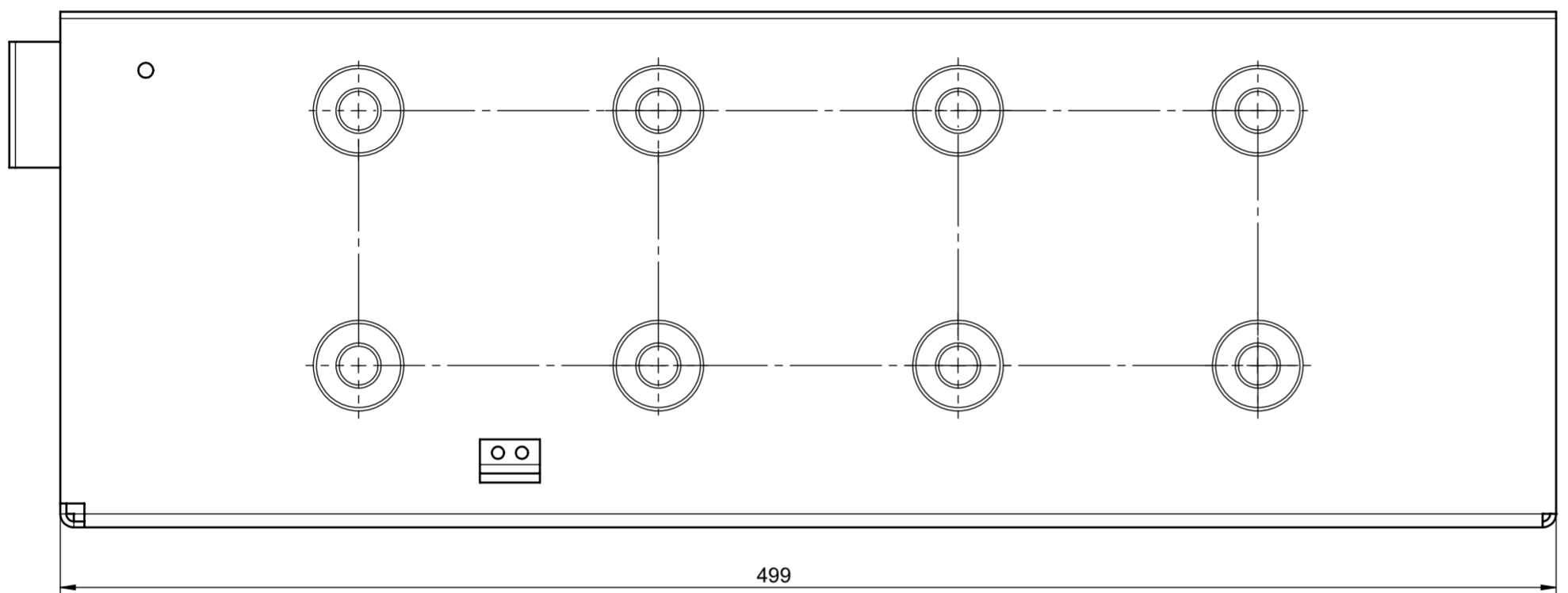
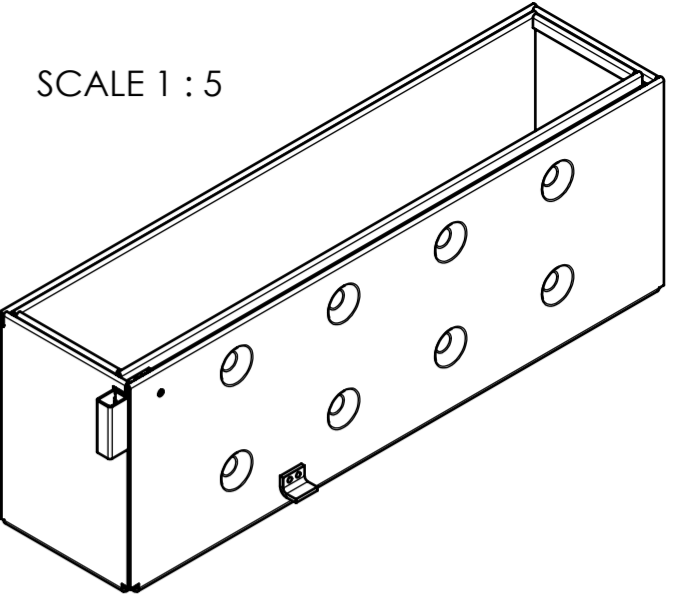
release date:
 13-Sep-2018 19:55

sheet:
 1/1


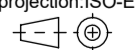
1 2 3 4 5 6 7 8 9 10 11 12

1 2 3 4 5 6 7 8 9 10 11 12

A
B
C
D
E
F
G
H



local article number: 446026

 ACO Tiefbau Vertrieb GmbH 24755 Rendsburg, Postfach 320 Tel. 04331 / 354-500 Fax. 04331 / 354-358 www.aco.com	drawing-no.: 1058297-M	index: 002	documenttype: marketing drw.
	created by: rbhatia	reviewed by: rbhatia	projection: ISO-E 

title:
 ACO SlotTop
 SlotTop AU V100 H150 D400 single slot 10mm L0.5m, Stainless steel
 Schlitzrahmen AU V100 H150 C250 Einzelschlitz 10mm L0.5m, Edelstahl

The reproduction, distribution and utilization of this document as well as the communication of its contents to others without express authorization is prohibited. Offenders will be held liable for the payment of damages. All rights reserved in the event of the grant of a patent, utility model or design. Observe copyright by ISO 16016

release date:
13-Sep-2018 19:55

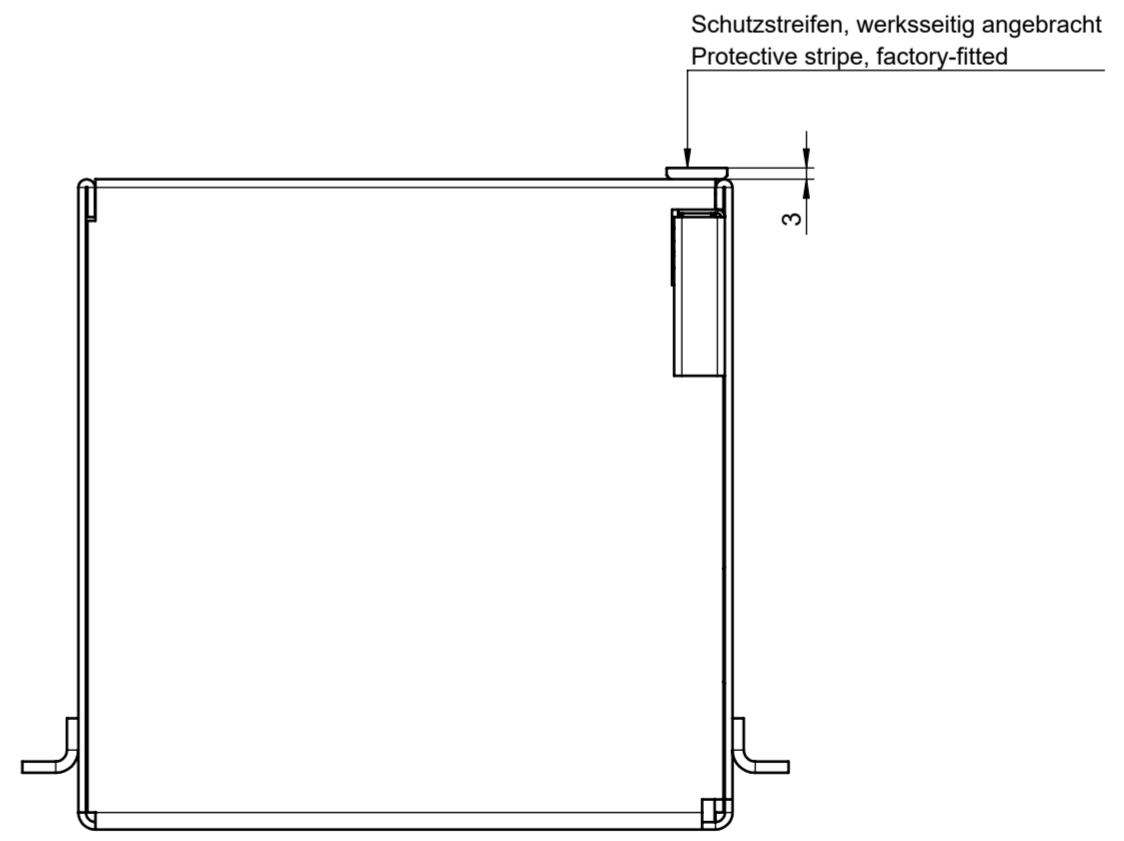
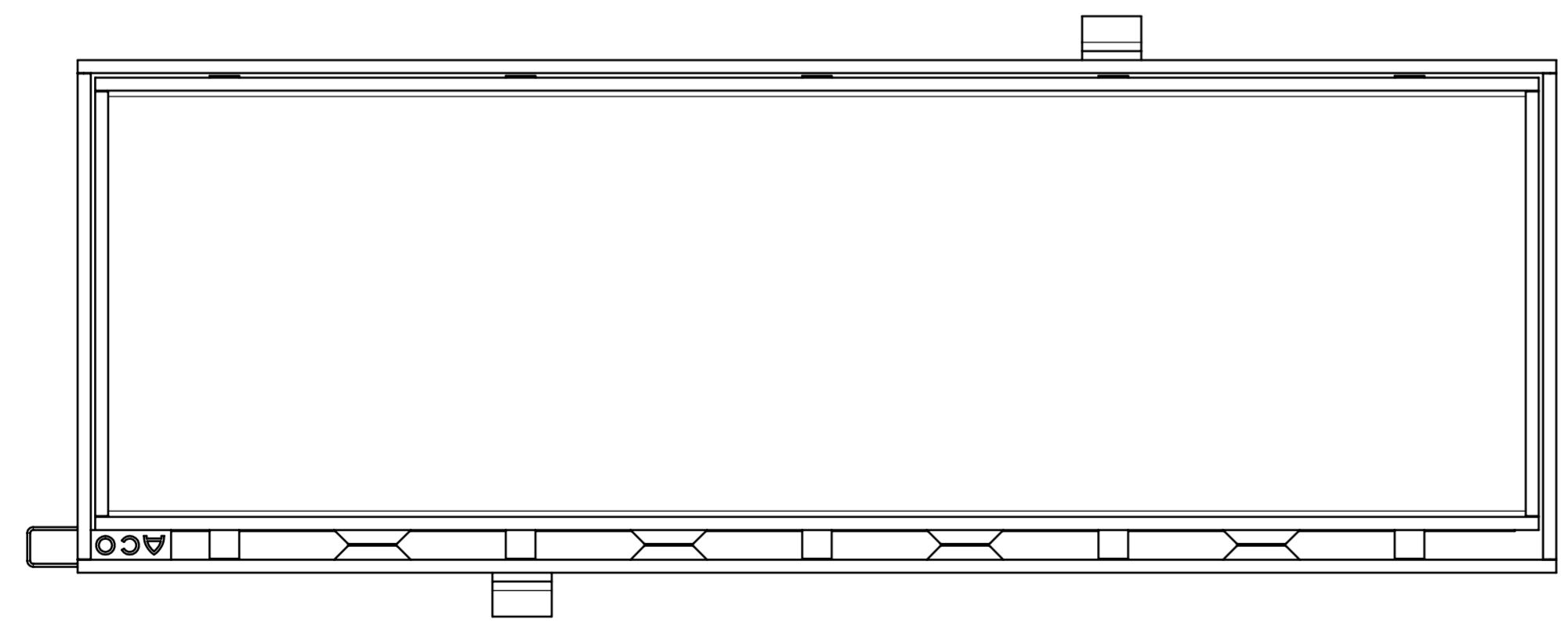
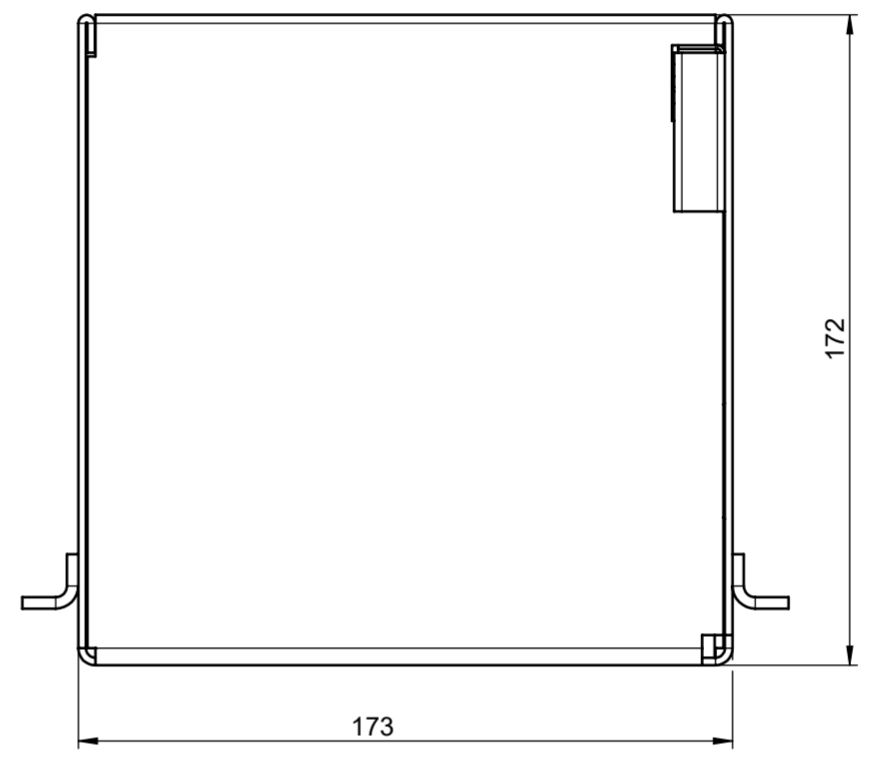
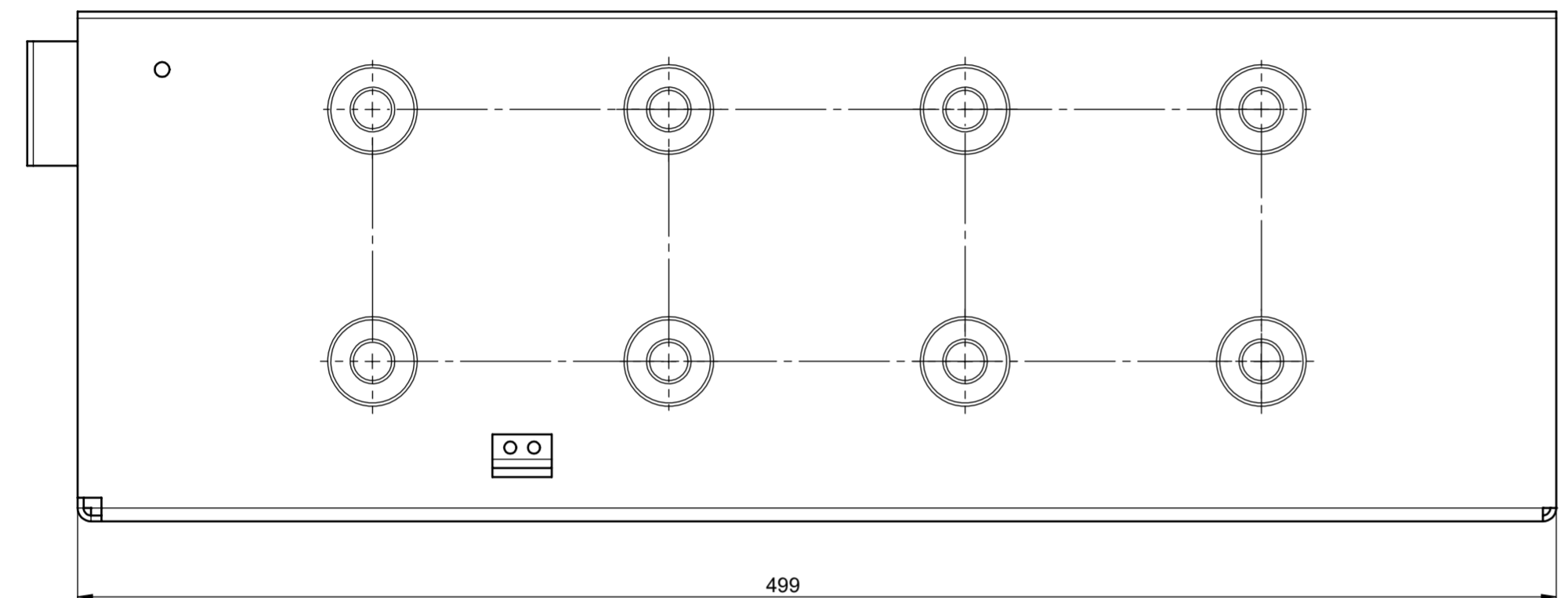
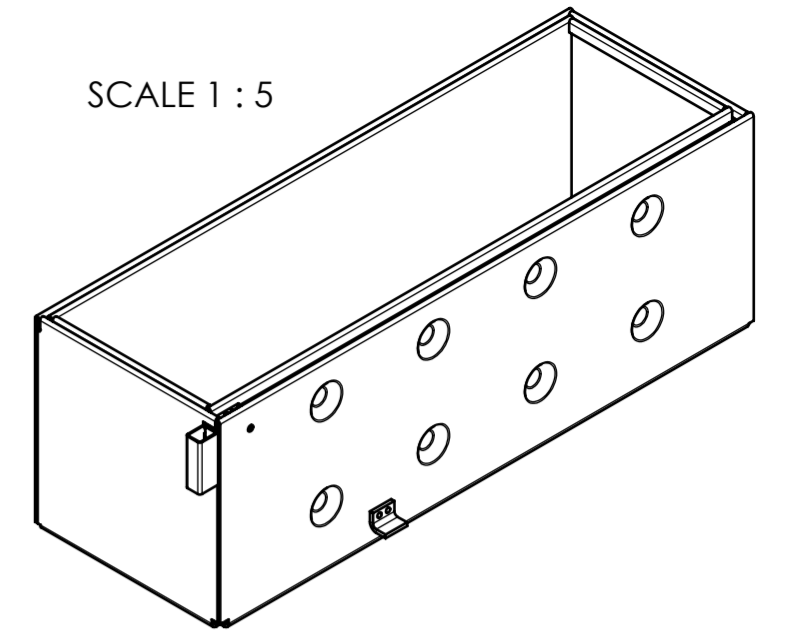
sheet:
1/1

1 2 3 4 5 6 7 8 9 10 11 12

1 2 3 4 5 6 7 8 9 10 11 12

A
B
C
D
E
F
G
H

SCALE 1 : 5



local article number: 446035

	ACO Tiefbau Vertrieb GmbH 24755 Rendsburg, Postfach 320 Tel. 04331 / 354-500 Fax. 04331 / 354-358 www.aco.com	drawing-no.: 1060841-M	index: 002	documenttype: marketing drw.
	created by: rbhatia	reviewed by: rbhatia	projection: ISO-E	scale: 1:2

title:
ACO SlotTop
SlotTop AU V150 H150 D400 single slot 10mm L0.5m, Galvanized steel
Schlitzrahmen AU V150 H150 D400 Einzelschlit 10mm L0.5m, Verzinkter Stahl

The reproduction, distribution and utilization of this document as well as the communication of its contents to others without express authorization is prohibited. Offenders will be held liable for the payment of damages. All rights reserved in the event of the grant of a patent, utility model or design. Observe copyright by ISO 16016

release date:
27-Jun-2018 14:56

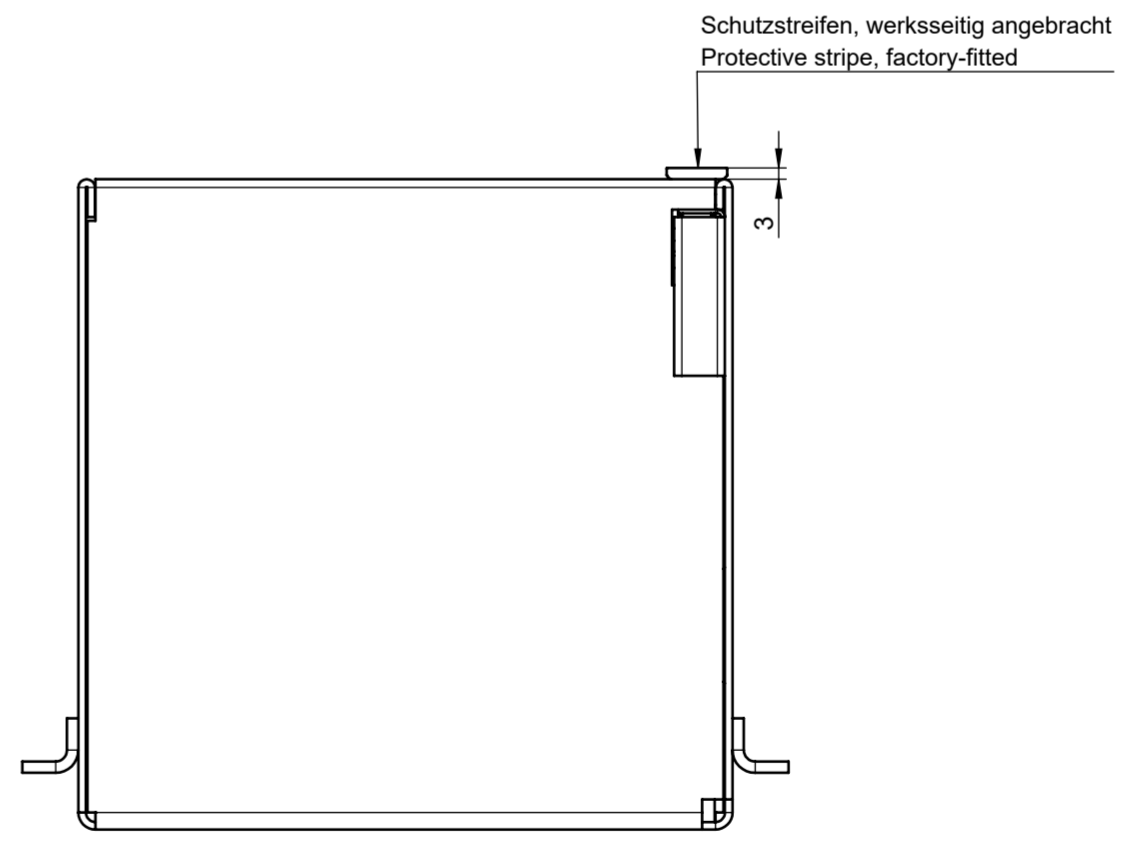
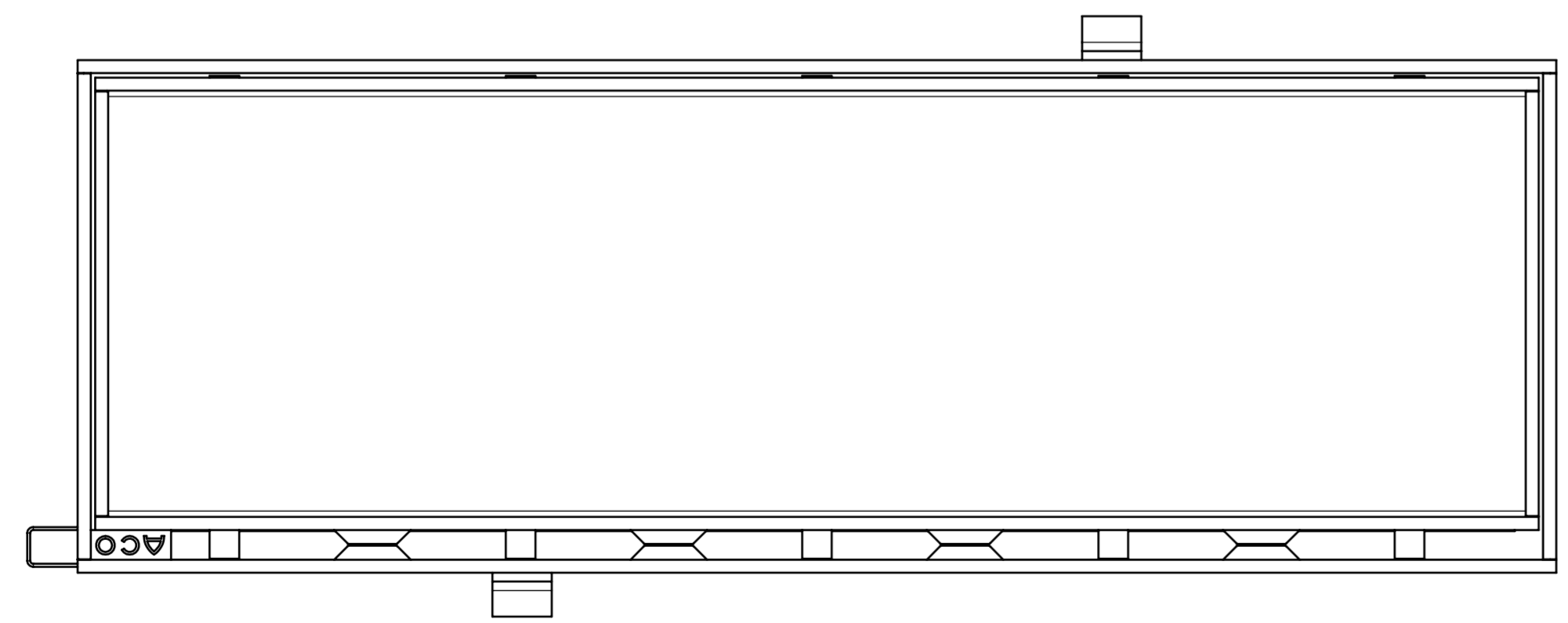
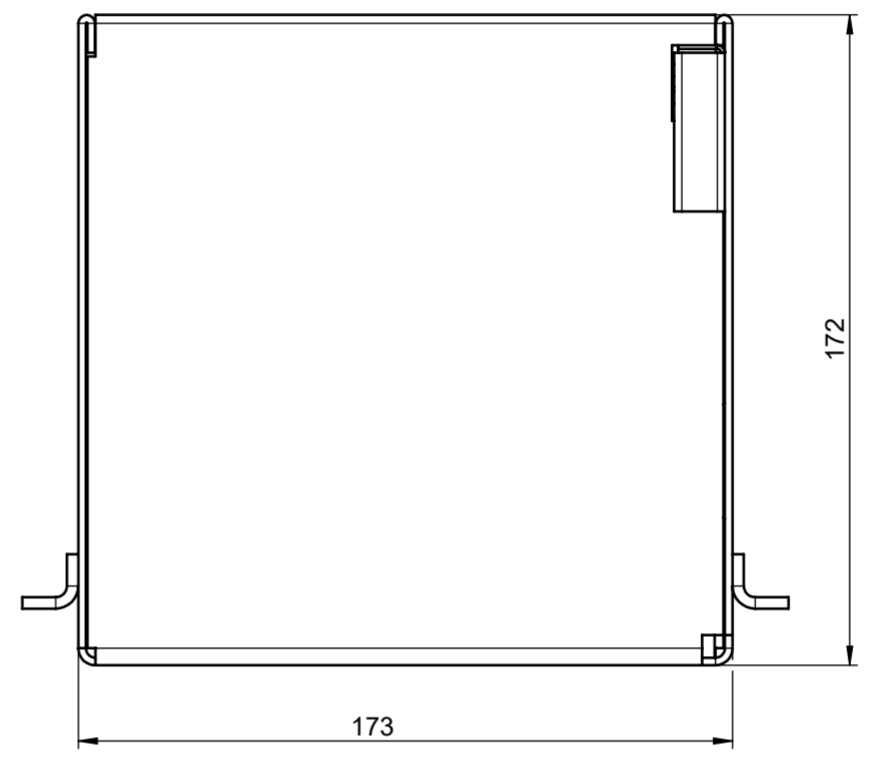
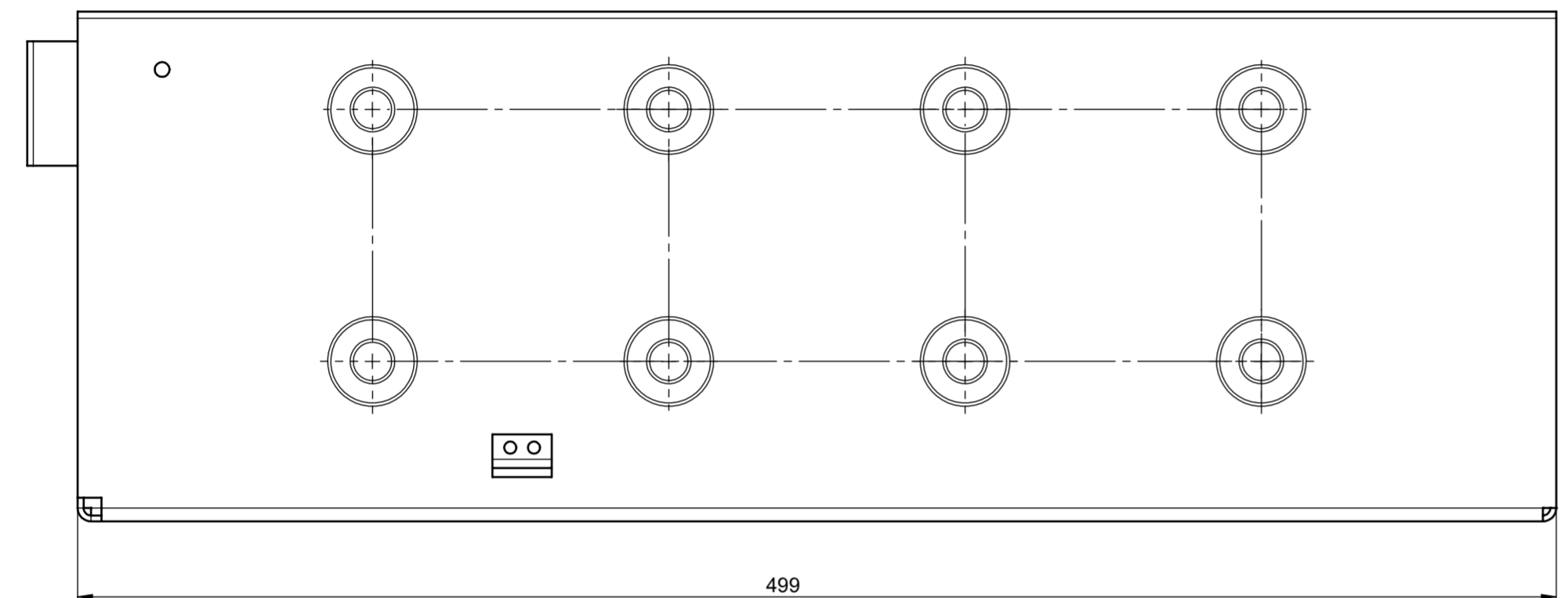
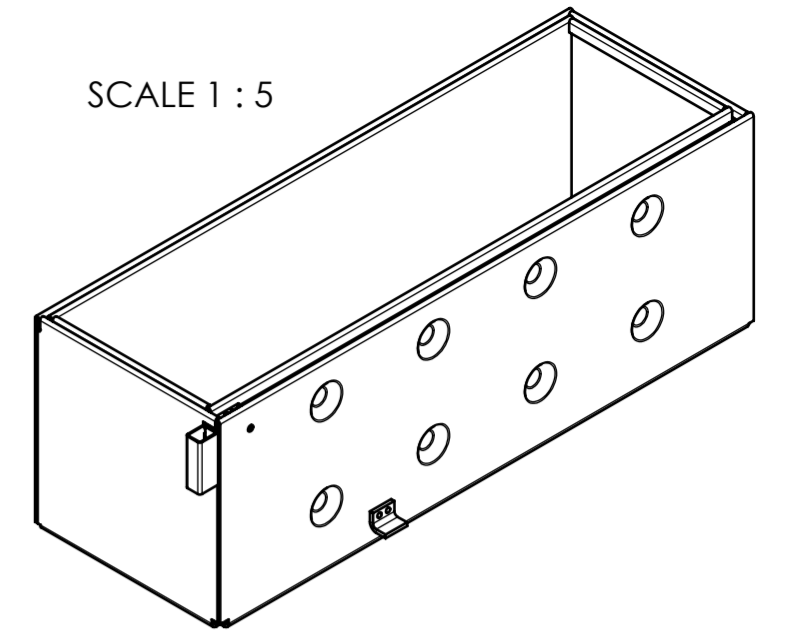
sheet:
1/1

1 2 3 4 5 6 7 8 9 10 11 12


1 2 3 4 5 6 7 8 9 10 11 12

A
B
C
D
E
F
G
H

SCALE 1 : 5



local article number: 446038

	ACO Tiefbau Vertrieb GmbH 24755 Rendsburg, Postfach 320 Tel. 04331 / 354-500 Fax. 04331 / 354-358 www.aco.com	drawing-no.: 1060842-M	index: 002	documenttype: marketing drw.
	created by: rbhatia	reviewed by: rbhatia	projection: ISO-E	scale: 1:2

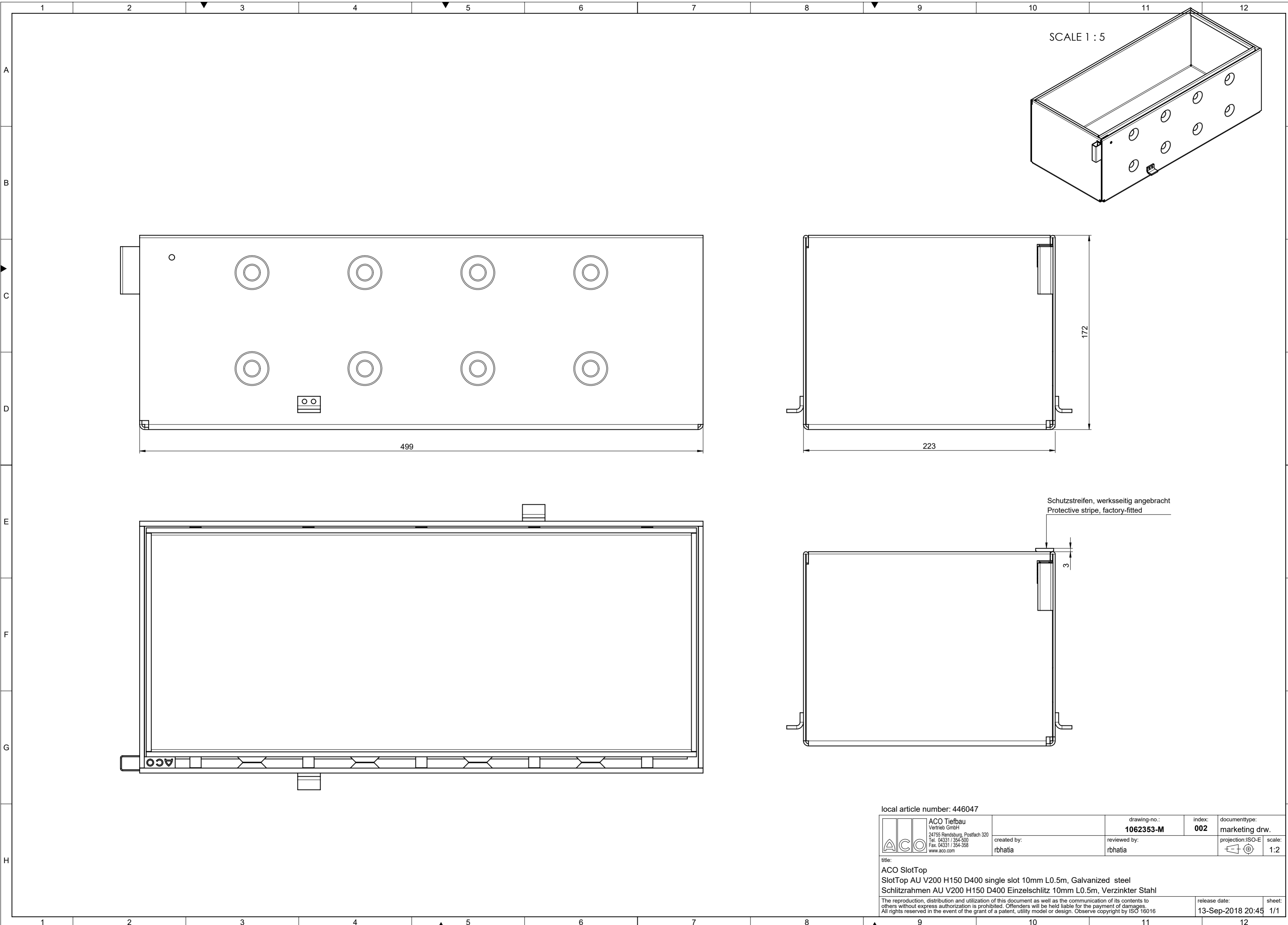
title:
ACO SlotTop
SlotTop AU V150 H150 D400 single slot 10mm L0.5m, Stainless steel
Schlitzrahmen AU V150 H150 D400 Einzelschlitz 10mm L0.5m, Edelstahl

The reproduction, distribution and utilization of this document as well as the communication of its contents to others without express authorization is prohibited. Offenders will be held liable for the payment of damages. All rights reserved in the event of the grant of a patent, utility model or design. Observe copyright by ISO 16016

release date:
27-Jun-2018 14:56

sheet:
1/1

1 2 3 4 5 6 7 8 9 10 11 12



SCALE 1 : 5

499

172

223

Schutzstreifen, werksseitig angebracht
Protective stripe, factory-fitted

3

local article number: 446047

ACO Tiefbau
Vertrieb GmbH
24755 Rendsburg, Postfach 320
Tel. 04331 / 354-500
Fax. 04331 / 354-358
www.aco.com

created by:
rbhatia

drawing-no.:
1062353-M

index:
002
documenttype:
marketing drw.
projection: ISO-E
scale:
1:2

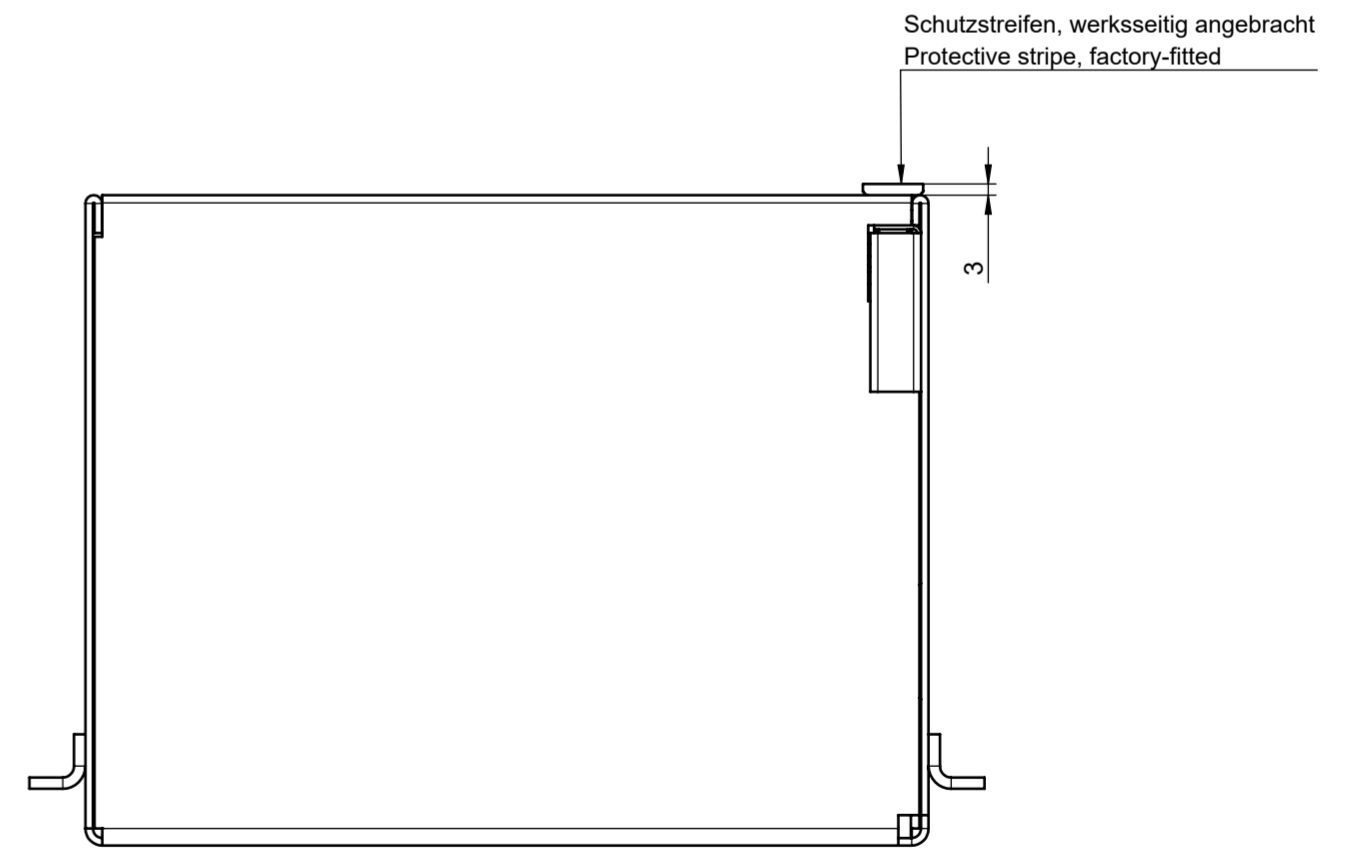
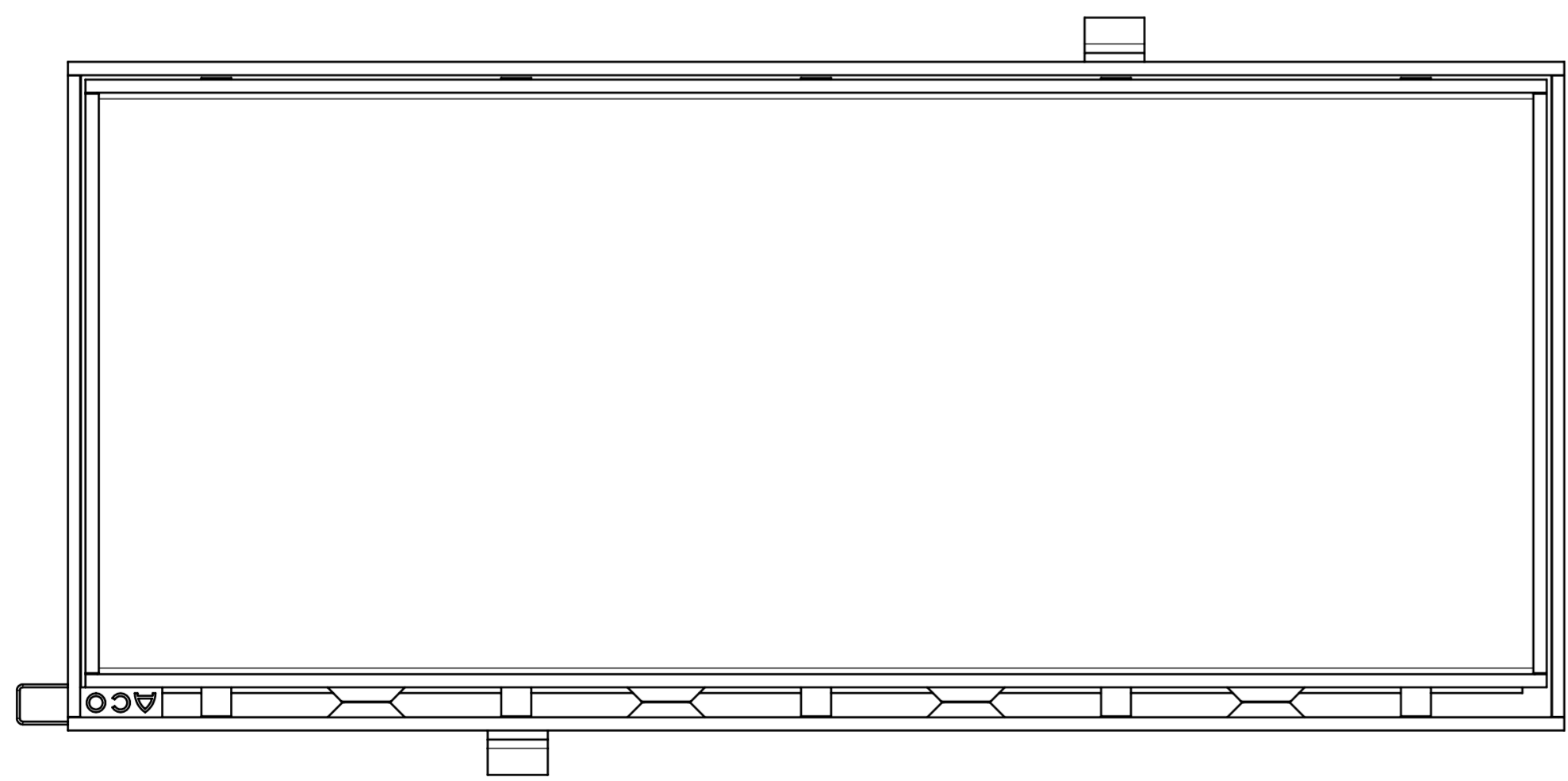
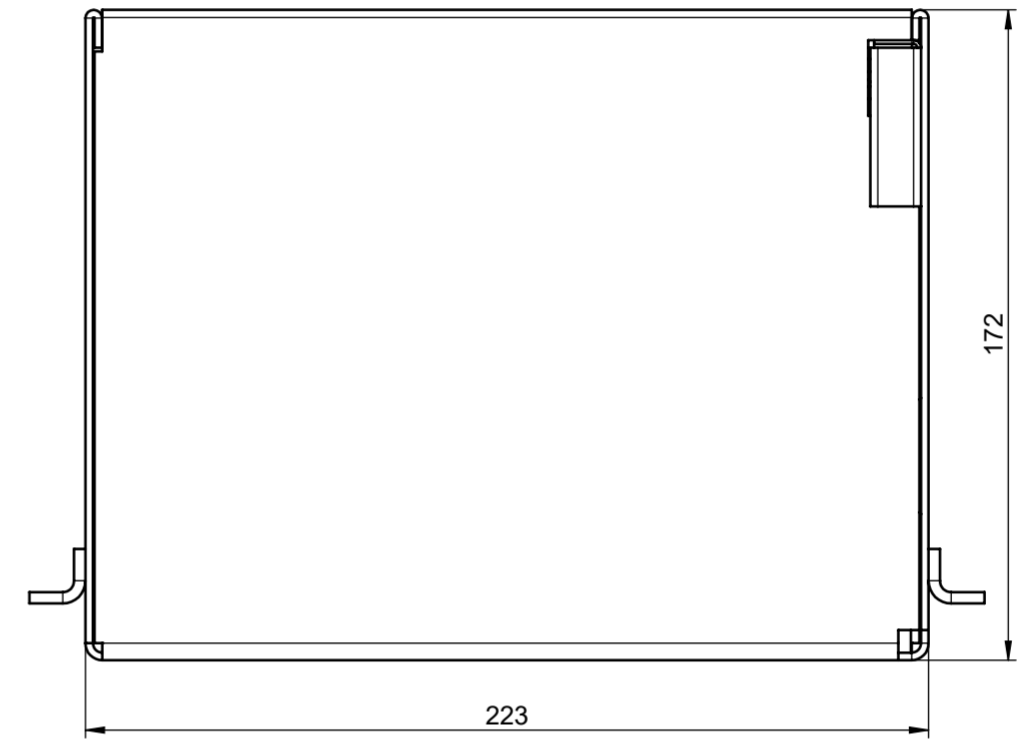
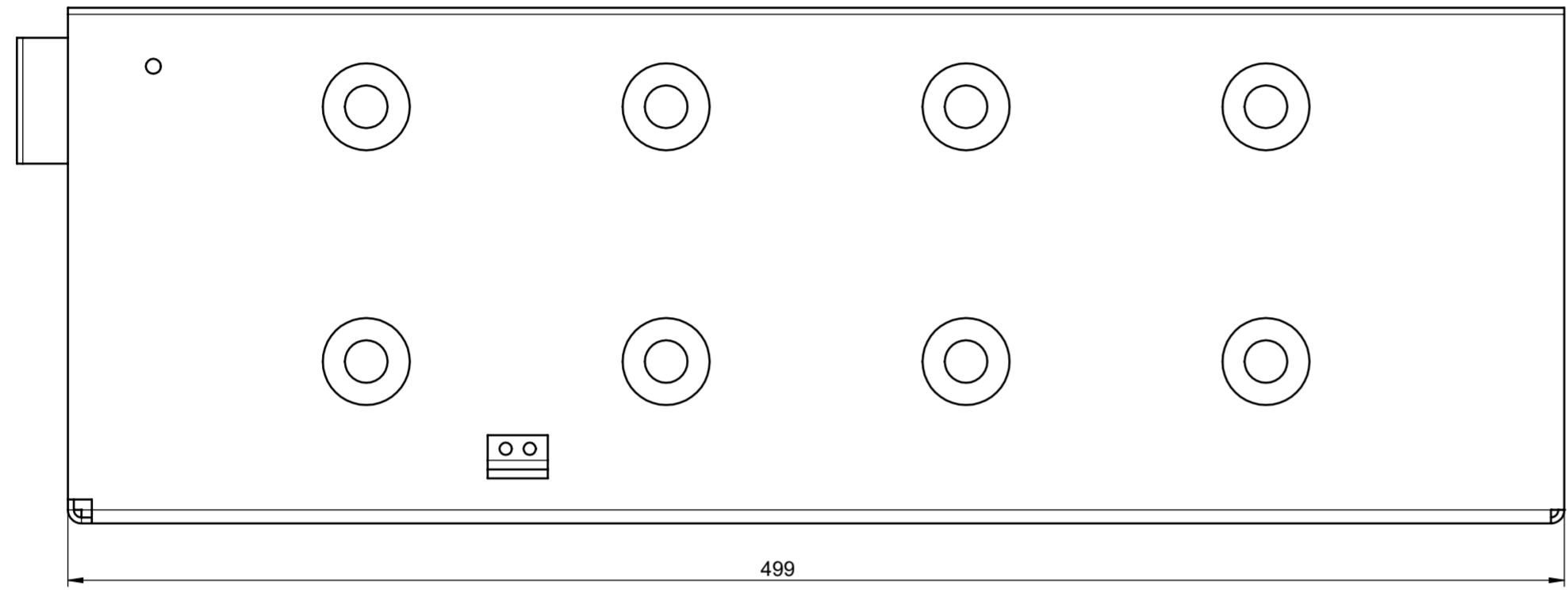
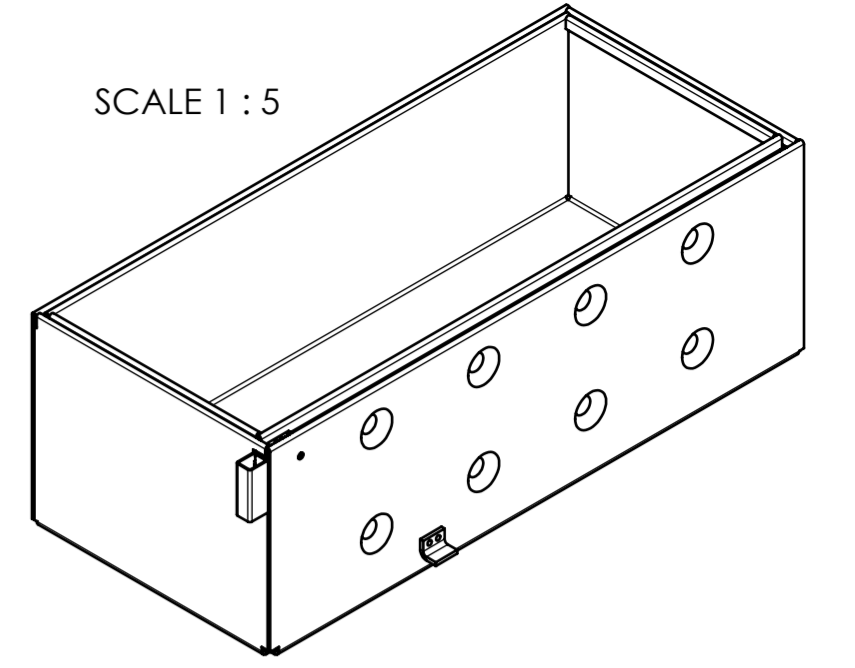
title:
ACO SlotTop
SlotTop AU V200 H150 D400 single slot 10mm L0.5m, Galvanized steel
Schlitzrahmen AU V200 H150 D400 Einzelschlitz 10mm L0.5m, Verzinkter Stahl

The reproduction, distribution and utilization of this document as well as the communication of its contents to others without express authorization is prohibited. Offenders will be held liable for the payment of damages. All rights reserved in the event of the grant of a patent, utility model or design. Observe copyright by ISO 16016

release date:
13-Sep-2018 20:45
sheet:
1/1

1 2 3 4 5 6 7 8 9 10 11 12

A
B
C
D
E
F
G
H



local article number: 446050

	ACO Tiefbau Vertrieb GmbH 24755 Rendsburg, Postfach 320 Tel. 04331 / 354-500 Fax. 04331 / 354-358 www.aco.com	drawing-no.: 1062352-M	index: 002	documenttype: marketing drw.
	created by: rbhatia	reviewed by: rbhatia	projection: ISO-E	scale: 1:2

title:
ACO SlotTop
SlotTop AU V200 H150 D400 single slot 10mm L0.5m, Stainless steel
Schlitzrahmen AU V200 H150 D400 Einzelschlit 10mm L0.5m, Edelstahl

The reproduction, distribution and utilization of this document as well as the communication of its contents to others without express authorization is prohibited. Offenders will be held liable for the payment of damages. All rights reserved in the event of the grant of a patent, utility model or design. Observe copyright by ISO 16016

release date:
13-Sep-2018 20:45

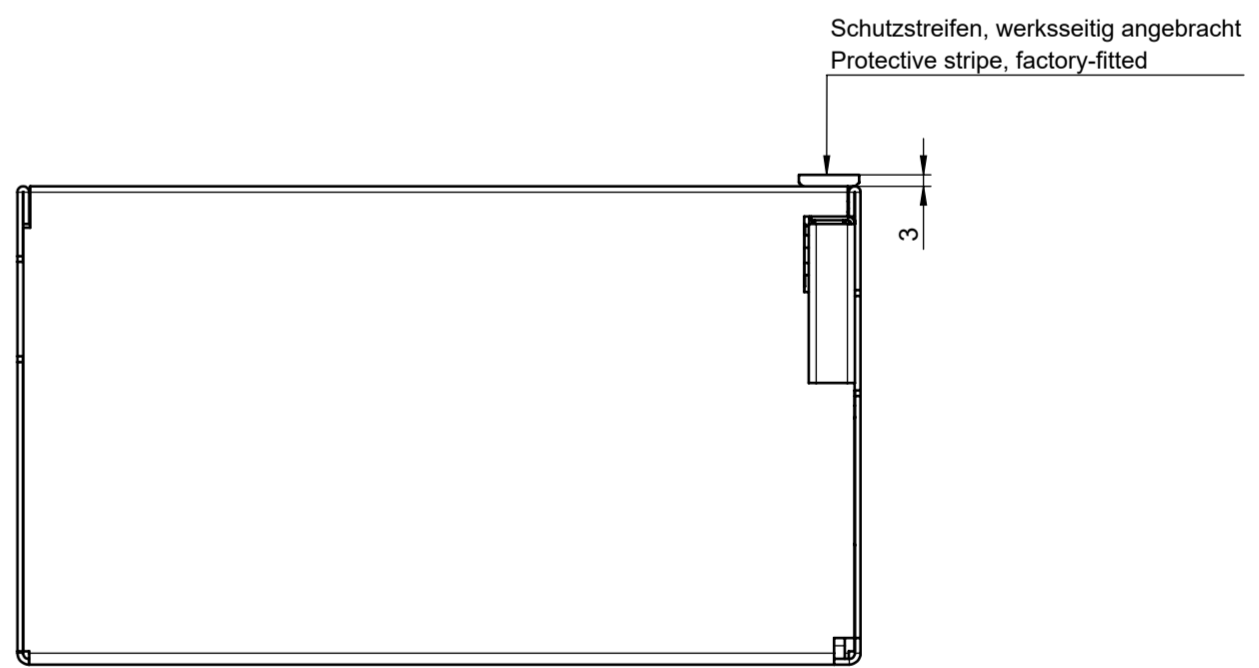
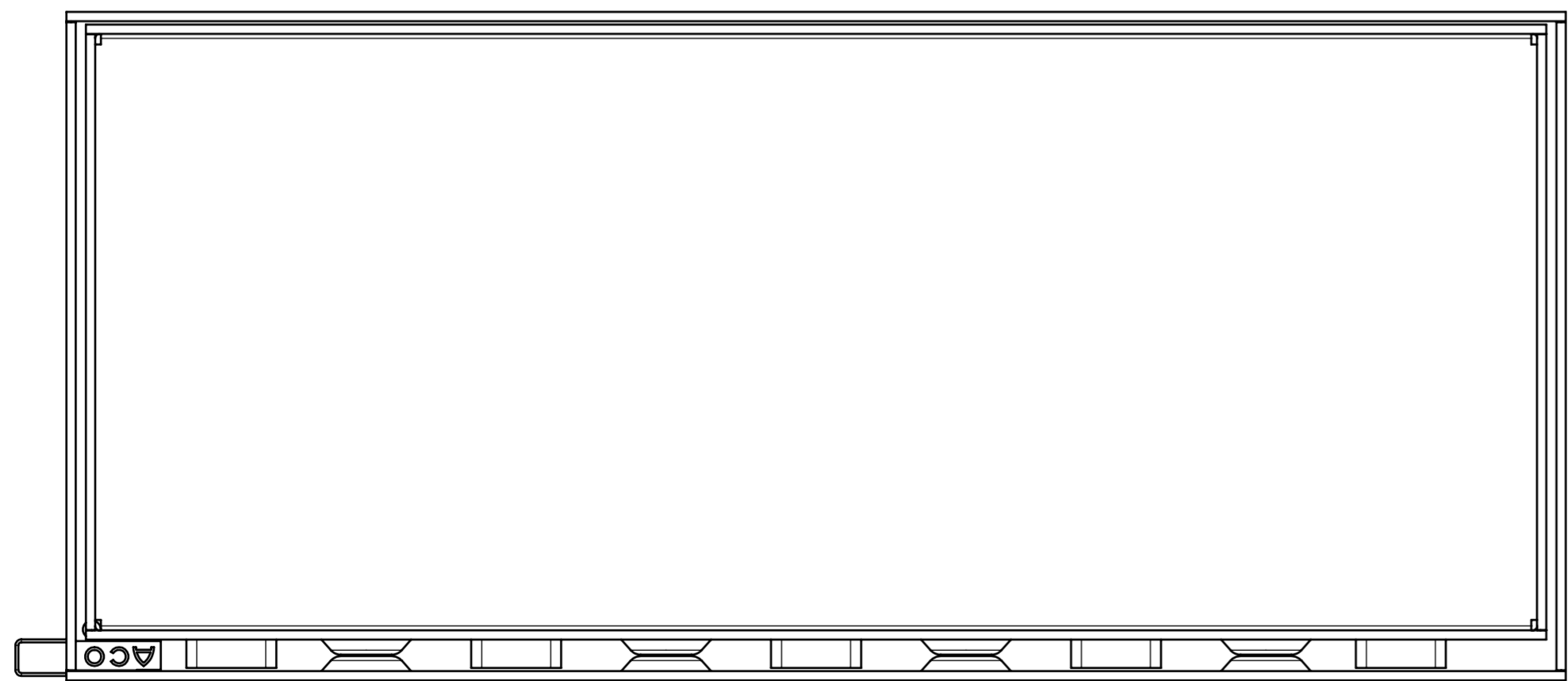
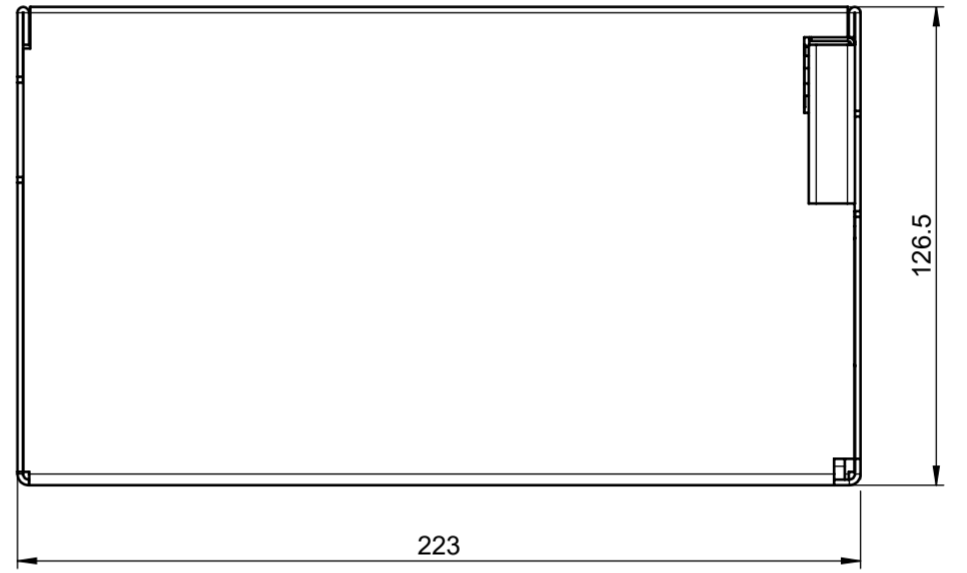
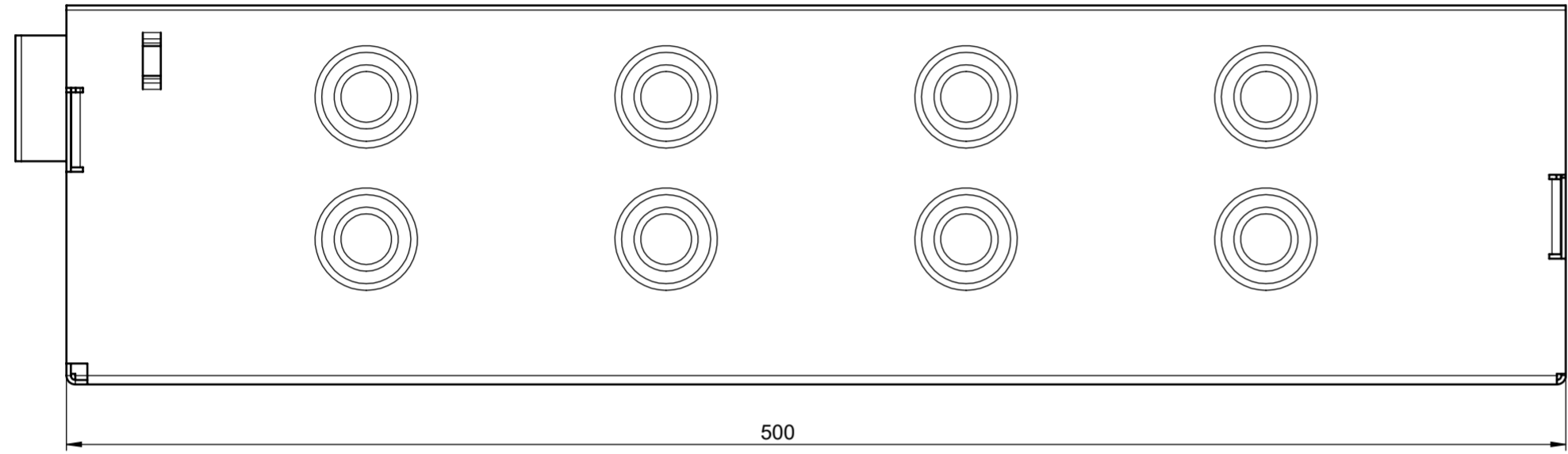
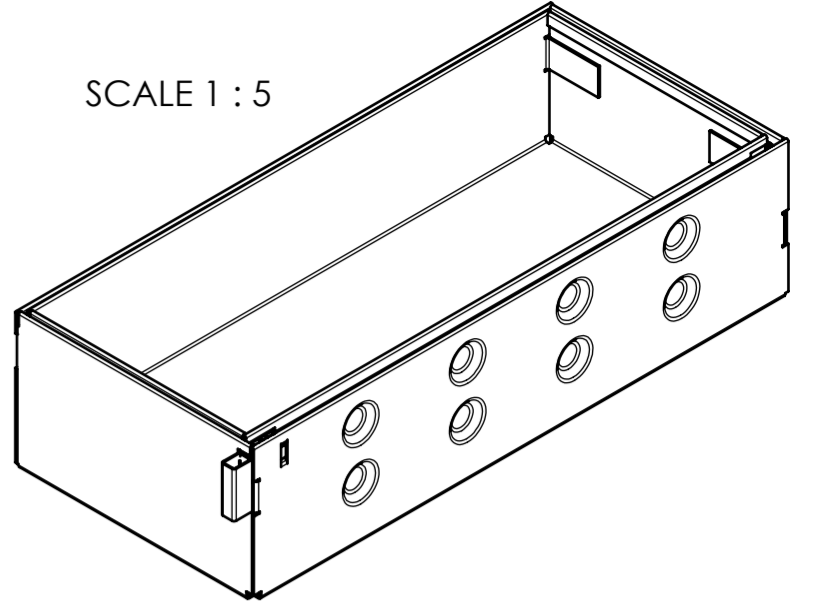
sheet:
1/1

1 2 3 4 5 6 7 8 9 10 11 12


1 2 3 4 5 6 7 8 9 10 11 12

A
B
C
D
E
F
G
H

SCALE 1 : 5



local article number: 446136

 ACO Tiefbau Vertrieb GmbH 24755 Rendsburg, Postfach 320 Tel. 04331 / 354-500 Fax. 04331 / 354-358 www.aco.com	created by: rbhatia	drawing-no.: 1054284-M	index: 003	documenttype: marketing drw.
	reviewed by: rbhatia	projection: ISO-E	scale: 1:2	

title:
ACO SlotTop
SlotTop AU V200 H105 C250 single slot 10mm L0.5m, Galvanized steel
Schlitzrahmen AU V200 H105 C250 Einzelschlitz 10mm L0.5m, verzinkter Stahl

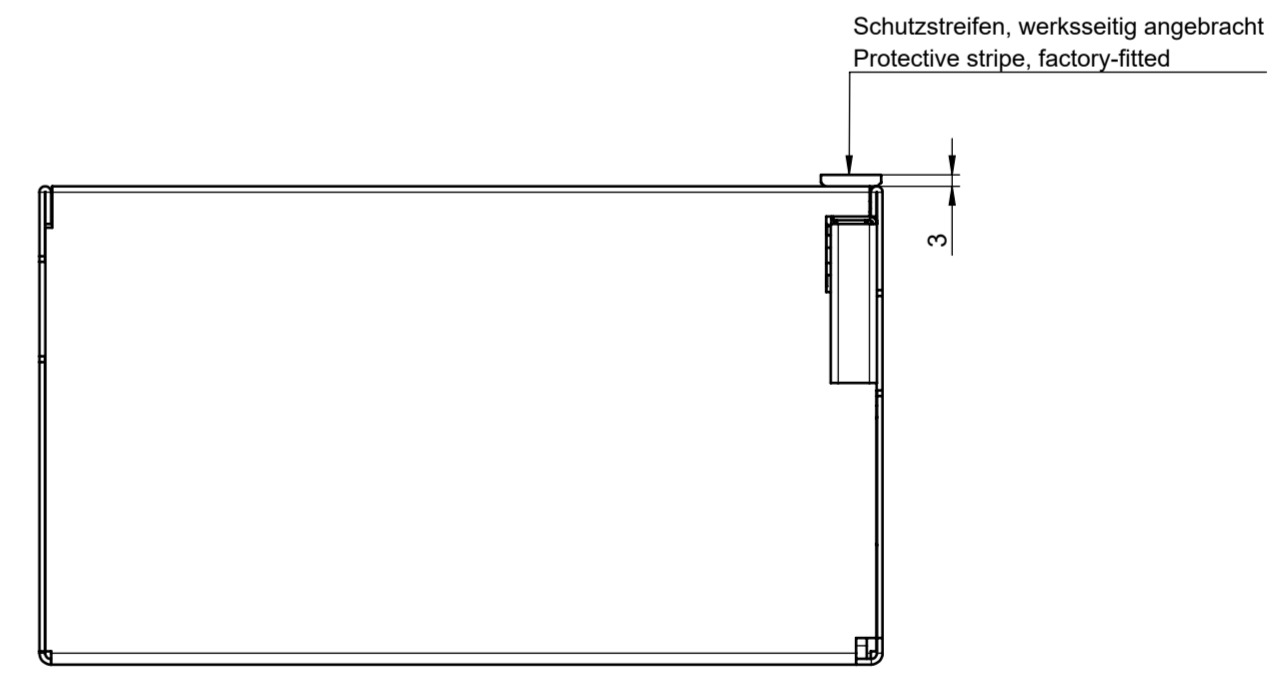
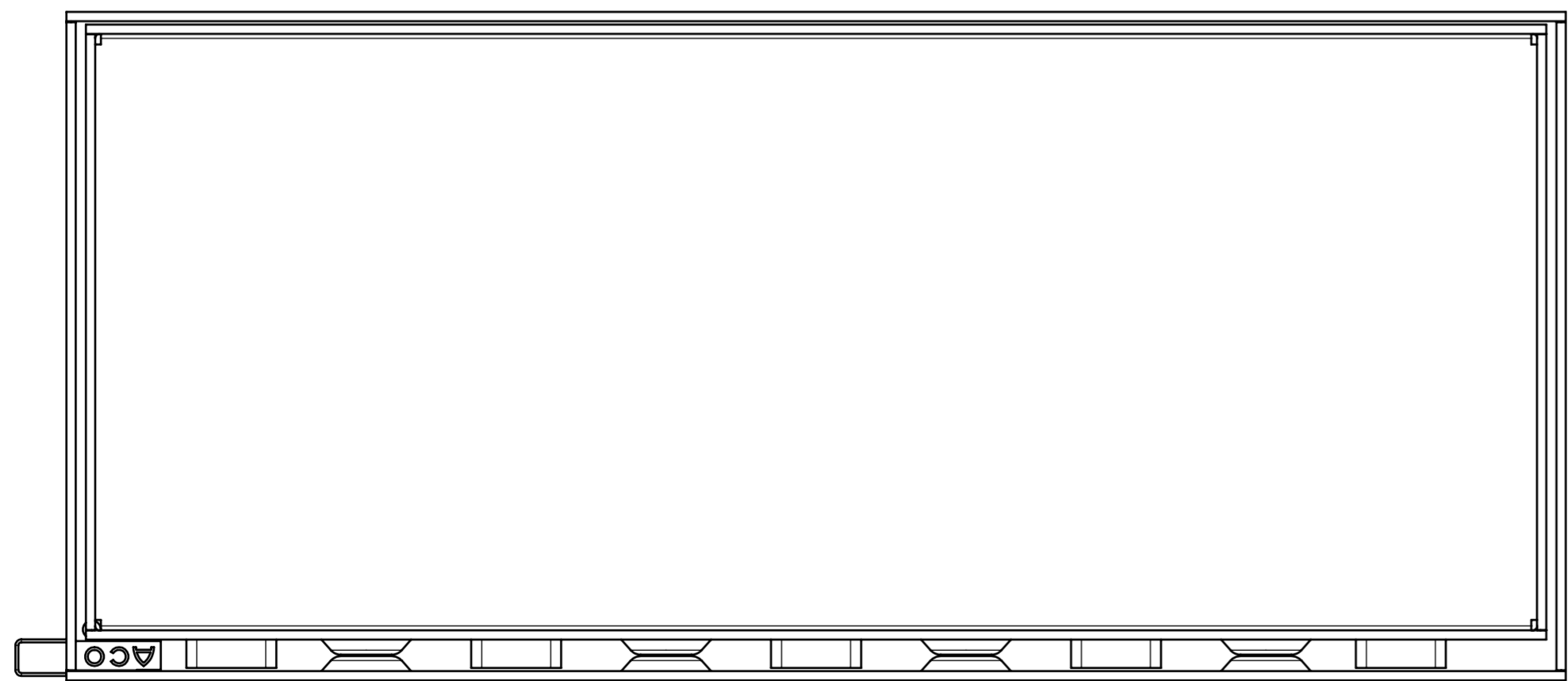
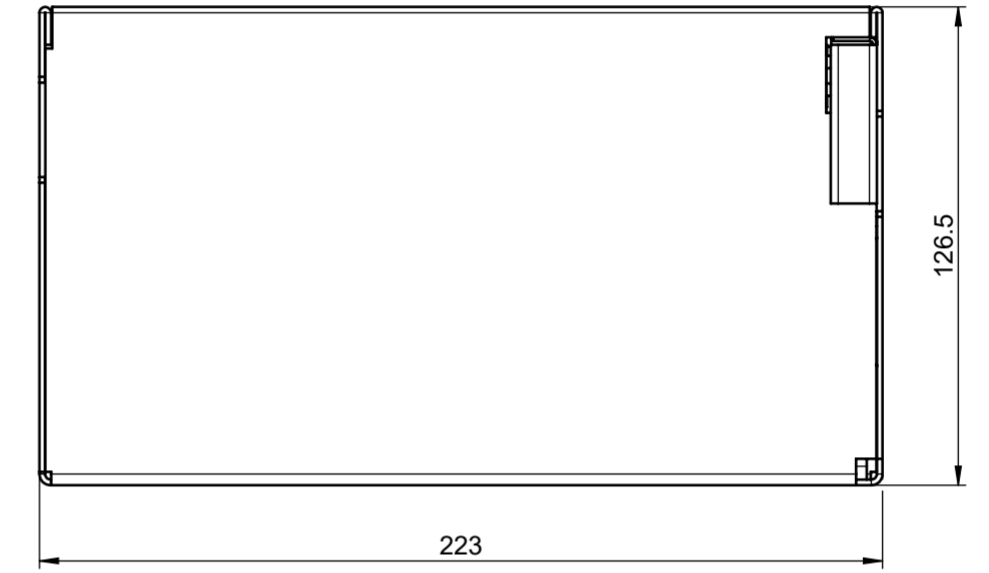
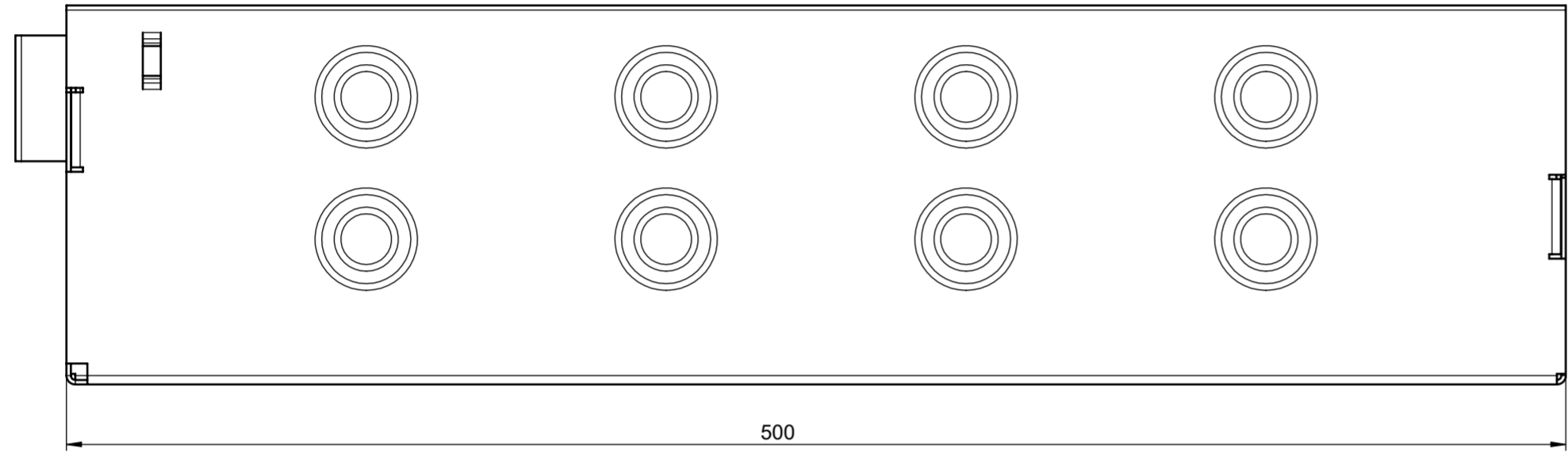
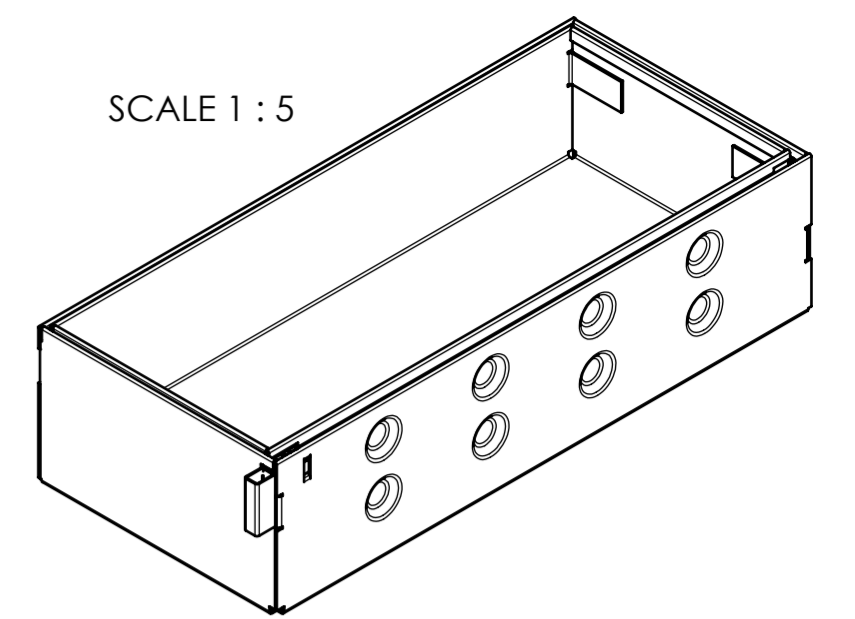
The reproduction, distribution and utilization of this document as well as the communication of its contents to others without express authorization is prohibited. Offenders will be held liable for the payment of damages. All rights reserved in the event of the grant of a patent, utility model or design. Observe copyright by ISO 16016

release date:
26-Jun-2018 19:06 sheet:
1/1



1 2 3 4 5 6 7 8 9 10 11 12

1 2 3 4 5 6 7 8 9 10 11 12

A
B
C
D
E
F
G
H



local article number: 446139

	ACO Tiefbau Vertrieb GmbH 24755 Rendsburg, Postfach 320 Tel. 04331 / 354-500 Fax. 04331 / 354-358 www.aco.com	drawing-no.: 1054285-M	index: 003	documenttype: marketing drw.
		created by: rbhatia	reviewed by: rbhatia	projection: ISO-E 

title:
ACO SlotTop
SlotTop AU V200 H105 C250 single slot 10mm L0.5m, Stainless steel
Schlitzrahmen AU V200 H105 C250 Einzelschlit 10mm L0.5m, Edelstahl

The reproduction, distribution and utilization of this document as well as the communication of its contents to others without express authorization is prohibited. Offenders will be held liable for the payment of damages. All rights reserved in the event of the grant of a patent, utility model or design. Observe copyright by ISO 16016

release date:
26-Jun-2018 19:06

sheet:
1/1

1 2 3 4 5 6 7 8 9 10 11 12