

1

2

3

4

A

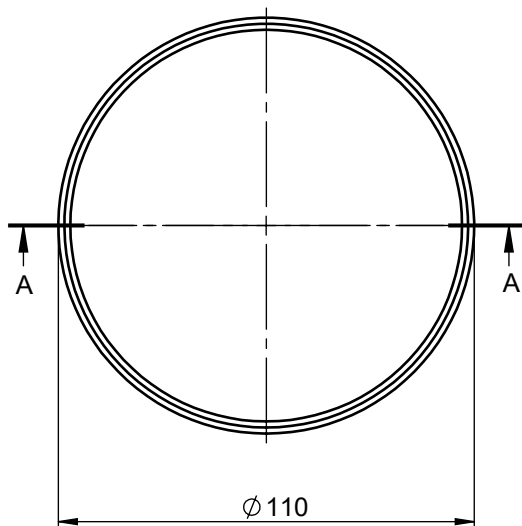
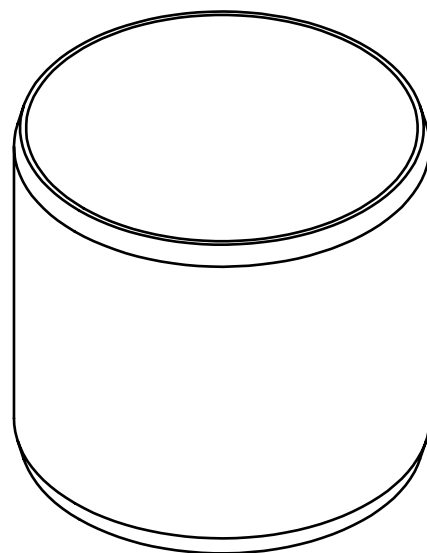
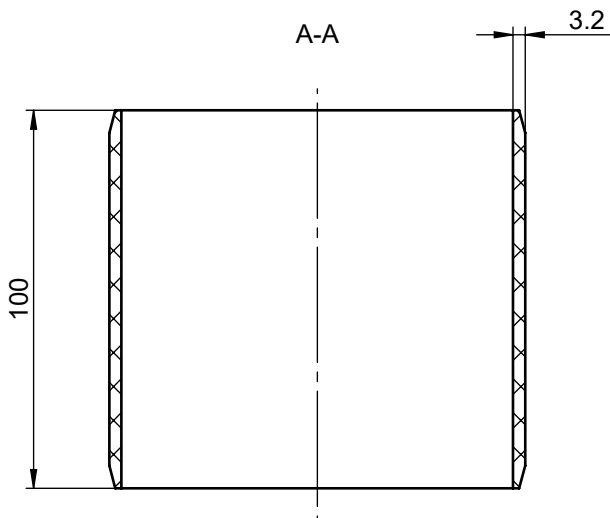
B

C

D

E

F



material number: 2000008
 local article number: 00056



ACO Hochbau Vertrieb
 GmbH
 Am Ahlmannkai
 24782 Büdelsdorf
 www.aco.com

created by:
vumasankar

drawing-no.:
1054482-M

reviewed by:
Isigell

index:
007

documenttype:
 marketing drw.

projection: ISO-E

scale:
1:2

title:

Pipeline elements
 PVC pipe DN110 H=100
 PVC Stützen DN110 H=100

serial-released

The reproduction, distribution and utilization of this document as well as the communication of its contents to others without express authorization is prohibited. Offenders will be held liable for the payment of damages. All rights reserved in the event of the grant of a patent, utility model or design. Observe copyright by ISO 16016

release date:
31.03.2022

sheet:
1/1

Software 2019 - DN 110 - Version 2.2

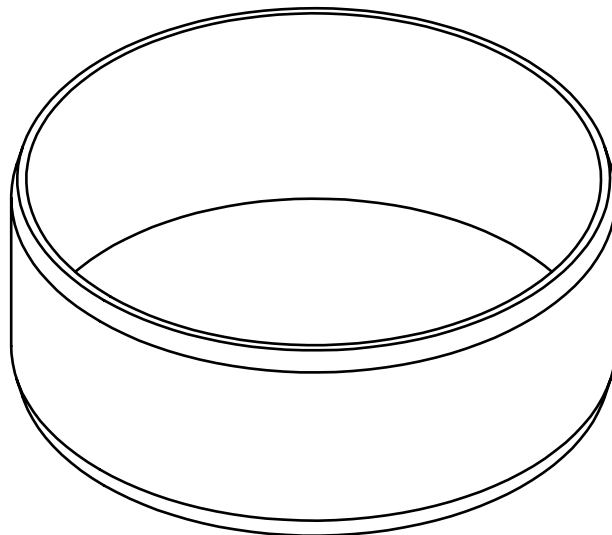
1

2

3

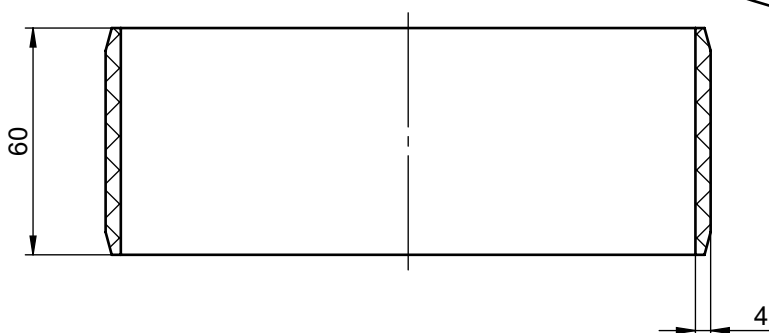
4

A



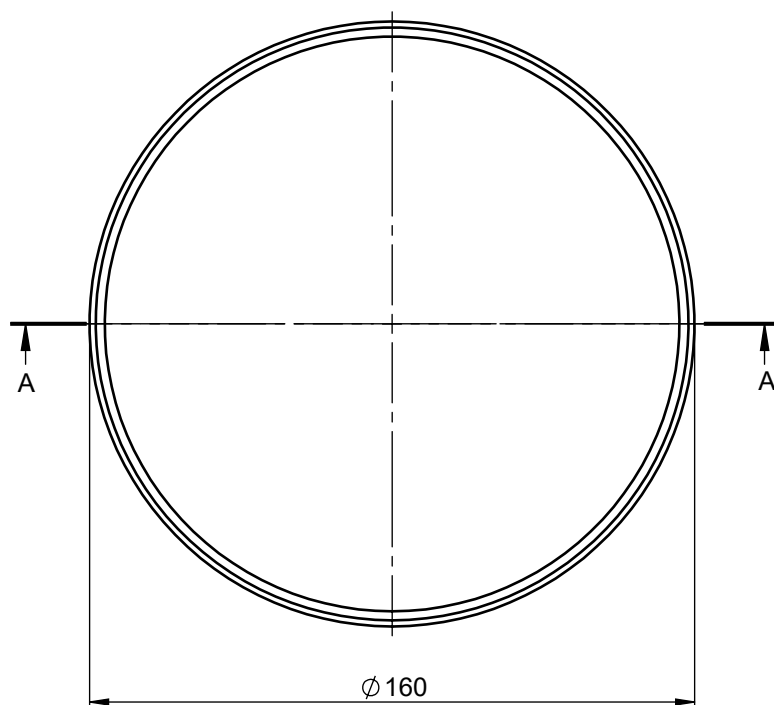
B

A-A



C

D



E

material number: 2000009
local article number: 00058



ACO Hochbau Vertrieb
GmbH
Am Ahlmannkai
24782 Büdelsdorf
www.aco.com

created by:
vumasankar

drawing-no.:
1054483-M

reviewed by:
Isigel

index: **007**
documenttype:
marketing drw.

projection: ISO-E
scale:
1:2

title:

F

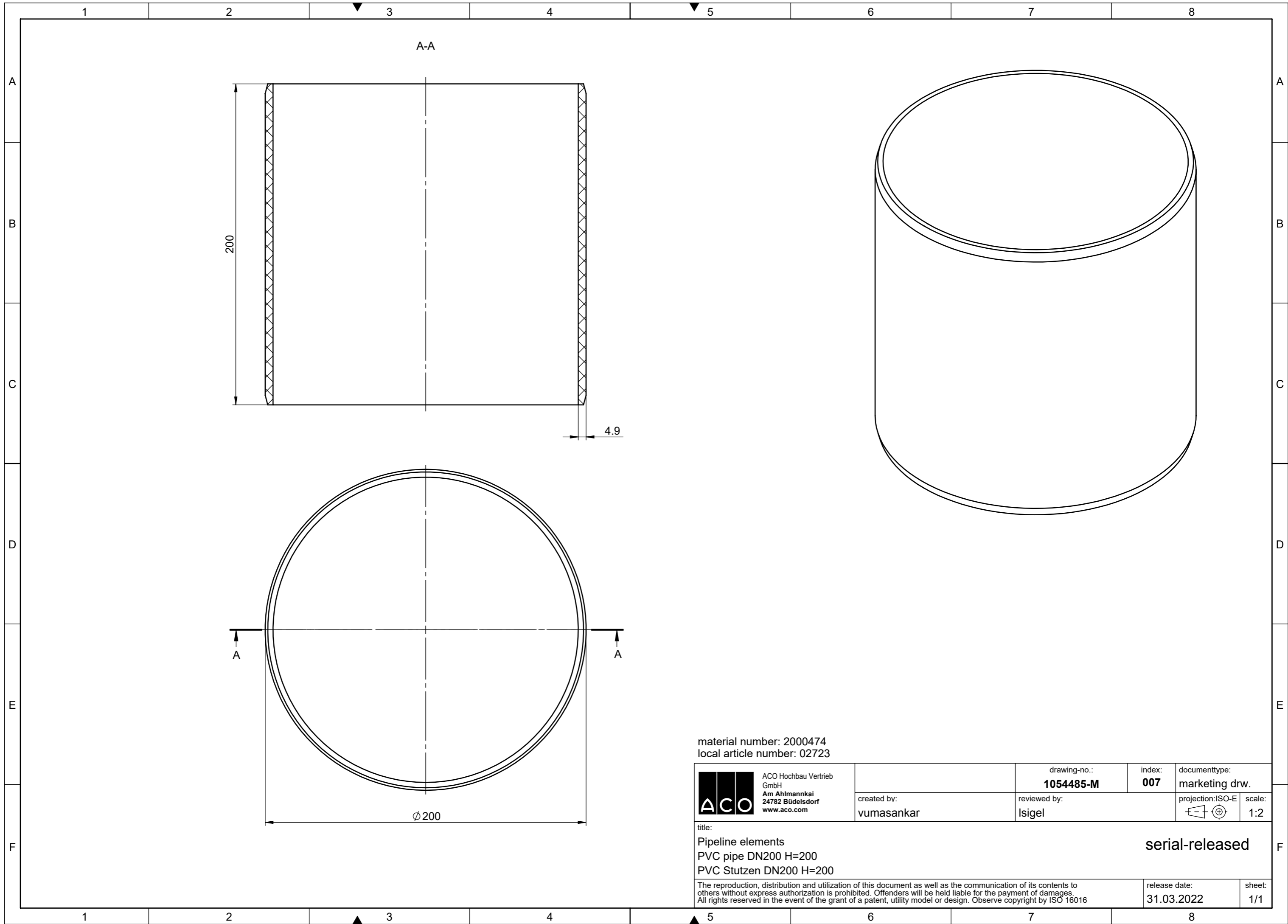
Pipeline elements
PVC pipe DN160 H=60
PVC Stutzen DN160 H=60

serial-released

The reproduction, distribution and utilization of this document as well as the communication of its contents to others without express authorization is prohibited. Offenders will be held liable for the payment of damages. All rights reserved in the event of the grant of a patent, utility model or design. Observe copyright by ISO 16016

release date:
31.03.2022

sheet:
1/1




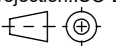
A-A

200

4.9

Ø 200

material number: 2000474
 local article number: 02723

 ACO Hochbau Vertrieb GmbH Am Ahlmannkai 24782 Büdelsdorf www.aco.com	drawing-no.: 1054485-M	index: 007	documenttype: marketing drw.
	created by: vumasankar	reviewed by: Isigel	projection: ISO-E 
title: Pipeline elements PVC pipe DN200 H=200 PVC Stutzen DN200 H=200			serial-released
The reproduction, distribution and utilization of this document as well as the communication of its contents to others without express authorization is prohibited. Offenders will be held liable for the payment of damages. All rights reserved in the event of the grant of a patent, utility model or design. Observe copyright by ISO 16016			release date: 31.03.2022
			sheet: 1/1